



Undermount

Keep the air in your home fresh and clean with Cyclone's sleek and powerful undermount, the NA940D. Features an efficient 680 CFM motor with adjustable speeds to whisk away grease, cooking odours and harmful moisture.

Green Features



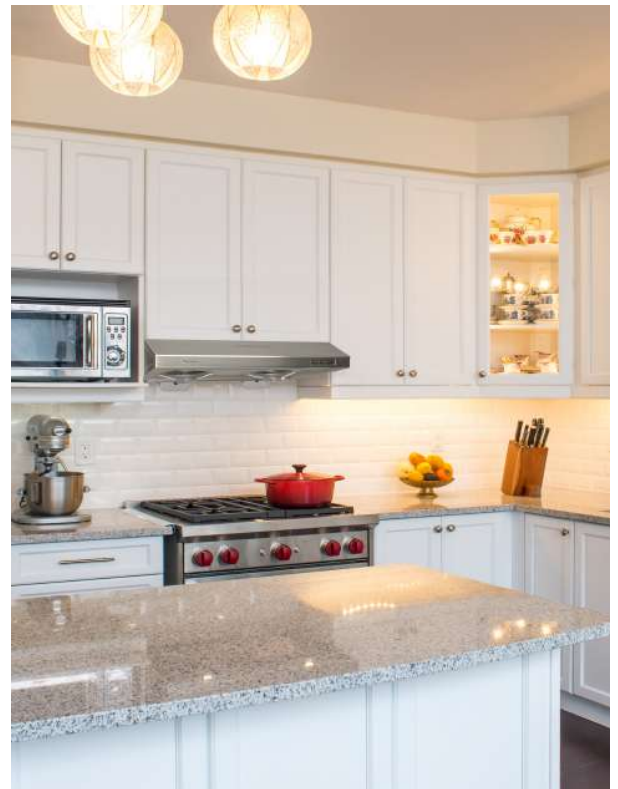
Grease Cup



2 Speed
Rocker Switch
Control Panel



Dishwasher Safe
Components



Model	Colour	Ducting	Size	CFM
NA940DW	White	6"	30"	680
NA940DB	Black	6"	30"	680
NA940DSS	Stainless Steel	6"	30"	680

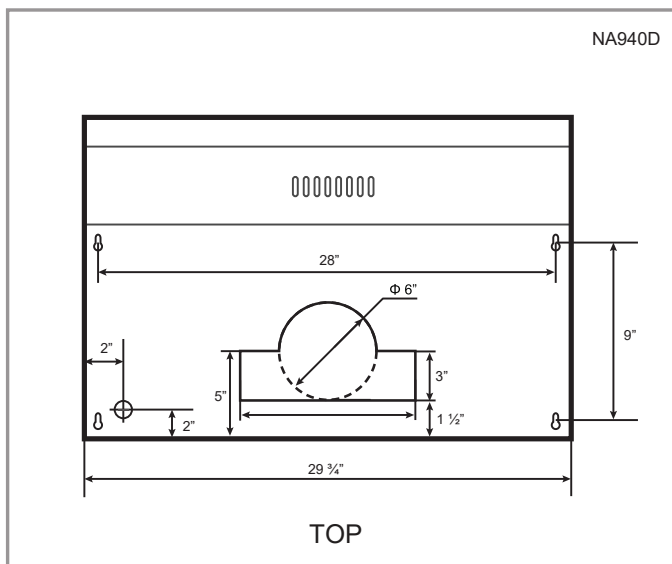
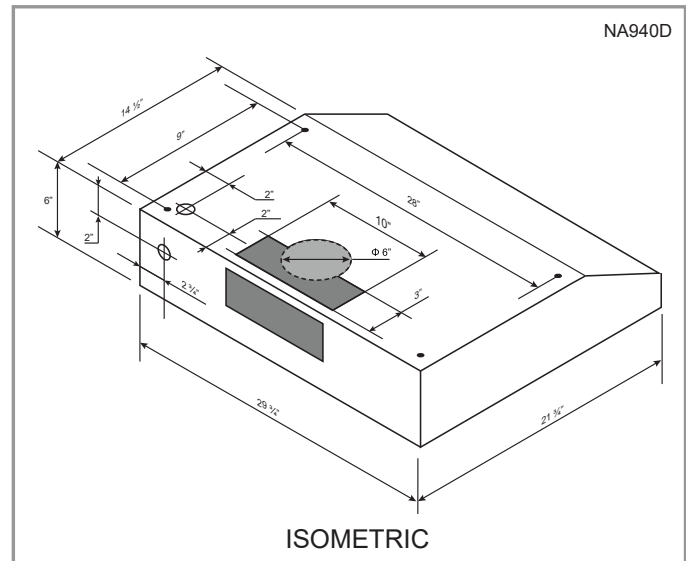
Cyclone Range Hoods Inc.

1361 Huntingwood Drive, Unit 16. Toronto, ON. M1S 3J1. Canada.

Toll Free: 1-888-293-5662 Tel: (416) 293-0933 Fax: (416) 293-4793 Website: www.CycloneRangeHoods.com

Features

- Undermount range hood
- 3 ¼" x 10" rectangular damper
- Non-stick aluminum fan blades
- 2 speed rocker switch control panel
- 1 CFL Lamp (1 x 13W E26) not included
- Hard-wire connection
- Filterless technology



Options

- Finishes: White
Black
Stainless Steel

Specifications

- | | | |
|---|---|---|
| <ul style="list-style-type: none"> ▪ Air Flow Volume: 680 CFM ▪ Electrical Connection: 120 V/60 Hz ▪ Power Consumption: 288 Watts ▪ Current: 2.4 Amps | <ul style="list-style-type: none"> ▪ Fan Speed: 1600 RPM ▪ Fan Type: Dual Axial Blower ▪ Finishes: White, Black, Stainless Steel ▪ Duct: 6" Round | <ul style="list-style-type: none"> ▪ Noise Level: Min. 2 Sones
Max. 7 Sones ▪ Knock-out:
3 ¼" x 10" Rectangular (Top or Rear)/
6" Circular (Top only) |
|---|---|---|

