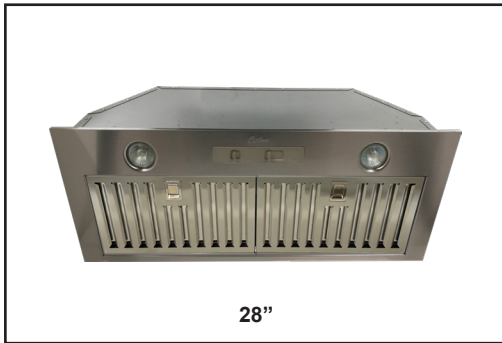


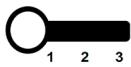
BXB214 | CLASSIC COLLECTION



Insert

The three speed control is located on the underside of the BXB214 for easy access and control. The range hood cannot be seen from eye-level, allowing you to arrange your cabinets as though there were no fan, creating a fluid and classy look. Baffle filters efficiently filter the air while bright LED light bulbs provide all the illumination you'll need. Another innovative design unique to Cyclone.

Green Features:



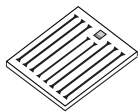
3 Speed Slide Control Panel



LED Light Bulbs



Grease Cup



Dishwasher Safe Baffle Filters



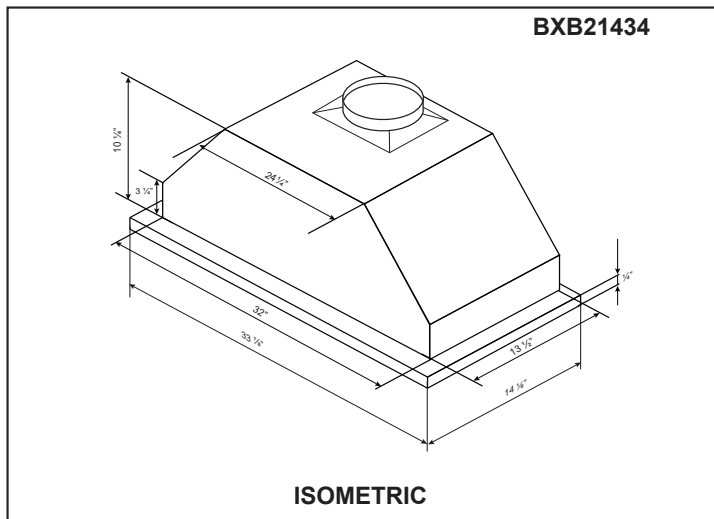
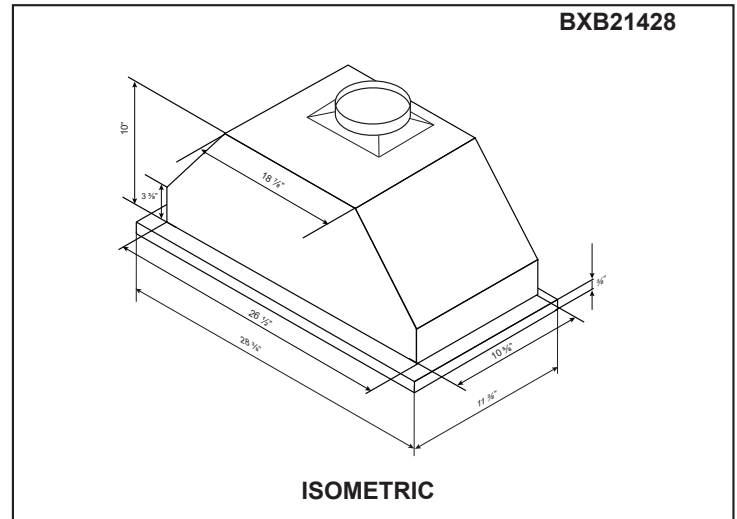
Model	Finish	Ducting	Filters	Size	CFM	Fits Cabinet
BXB21428	Stainless Steel	6" round	Baffle	28"	400	30"
BXB21434	Stainless Steel	6" round	Baffle	34"	400	36"

Cyclone Range Hoods Inc.

1361 Huntingwood Drive, Unit 16. Toronto, ON. M1S 3J1. Canada.
 Toll Free: 1-888-293-5662 Tel: (416) 293-0933 Fax: (416) 293-4793 Website: www.CycloneRangeHoods.com

Features

- Insert range hood
- 6" round duct adapter
- Non-stick aluminum fan blades
- 3 speed slide control panel
- 2 LED lights (2 x 1.5W, GU10, 3500K)
- Dishwasher-safe stainless steel baffle filters
- Plug-in connection



Options

- Width: 28", 34"

Specifications

- | | | |
|--------------------------------------|--------------------------------|---|
| • Air Flow Volume: 400 CFM | • Current: 2.5 Amps | • Finishes: Stainless Steel |
| • Electrical Connection: 120 V/60 Hz | • Fan Speed: 1599 RPM | • Ducting: 6" round |
| • Power Consumption: 300 Watts | • Fan Type: Centrifugal Blower | • Noise Level: Min. 2 Sones
Max. 6 Sones |

