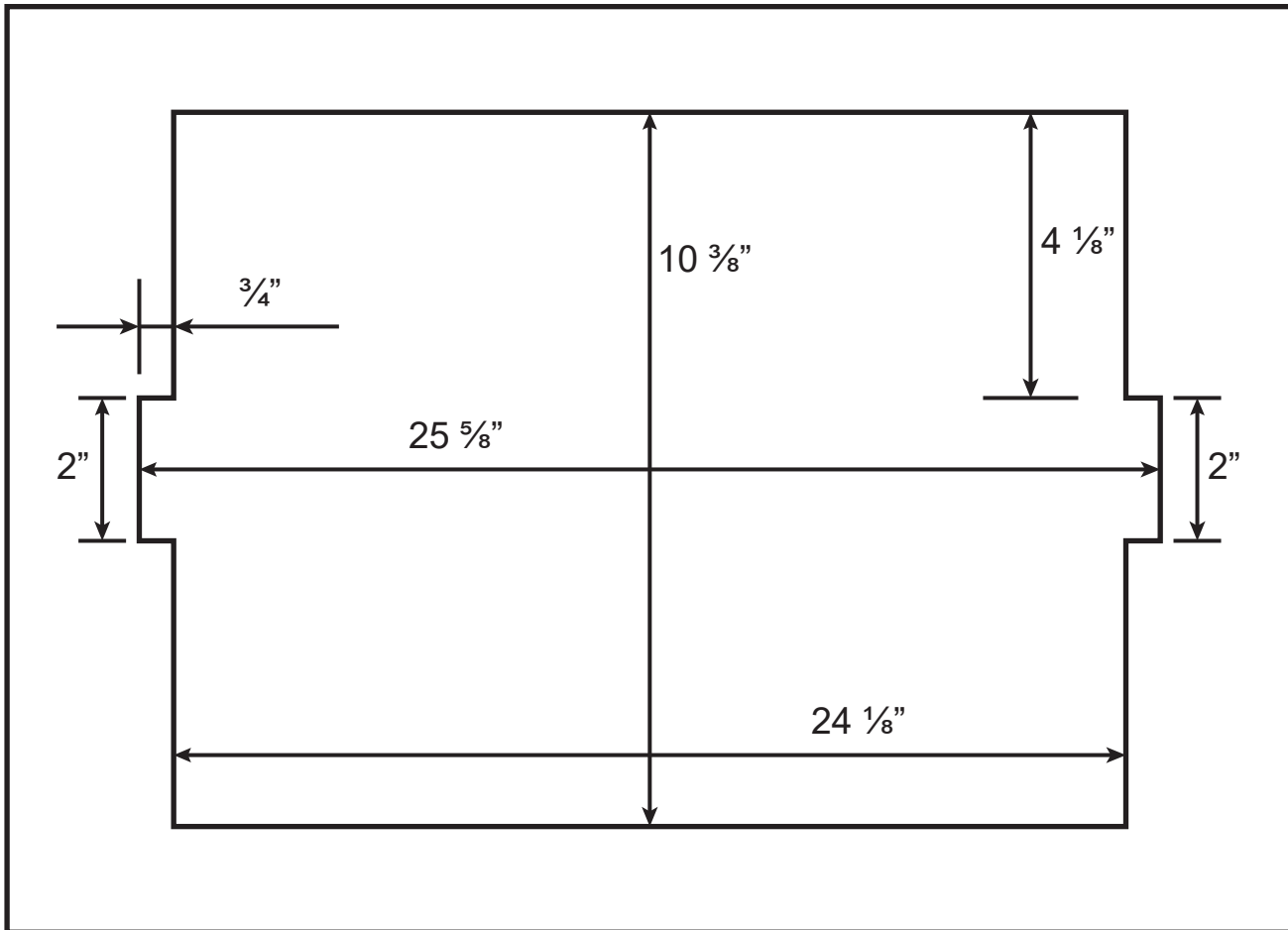


# Cut Out

Classic Collection Insert - Model: SS13030



\*Cutout dimensions shown are based on manufacturer minimum requirements. Installer to verify all dimensions on site and allow appropriate clearance for installation and cabinet tolerances prior to cutting.