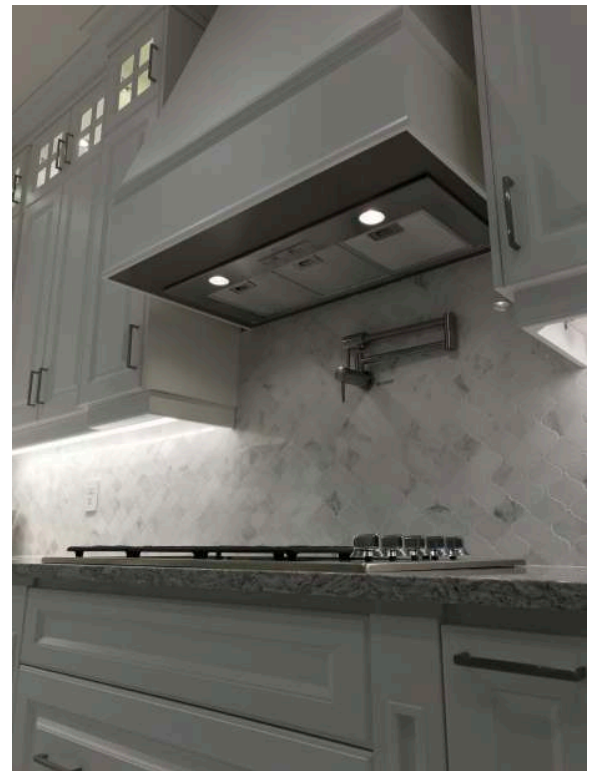


BX215 | CLASSIC Collection

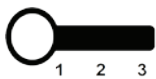


Insert

The three speed control is located on the underside of the BX215 for easy access and control. The range hood cannot be seen from eye-level, allowing you to arrange your cabinets as though there were no fan, creating a fluid and classic look. Mesh filters efficiently filter the air while bright LED light bulbs provide all the illumination you'll need. Another innovative design unique to Cyclone.



Green Features



3 Speed Slide Control Panel



Grease Cup



LED Light Bulbs

Model	Colour	Ducting	Filters	Size	CFM	Fits Cabinet
BX21528	Stainless Steel	6"	Mesh	28"	550	30"
BX21534	Stainless Steel	6"	Mesh	34"	550	36"

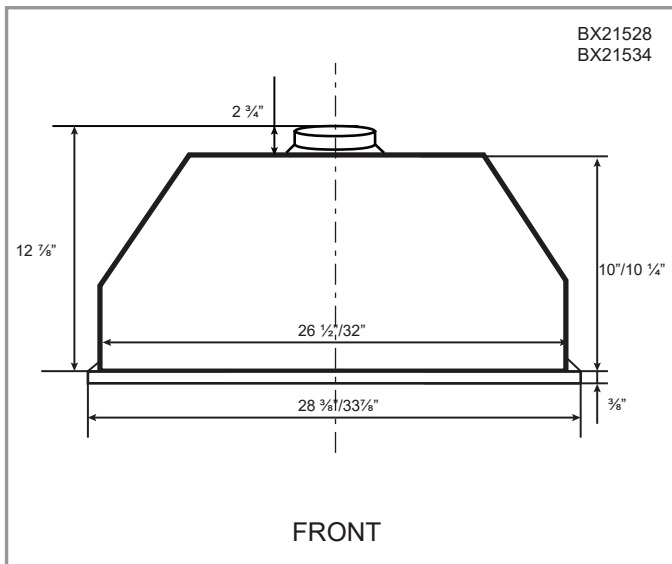
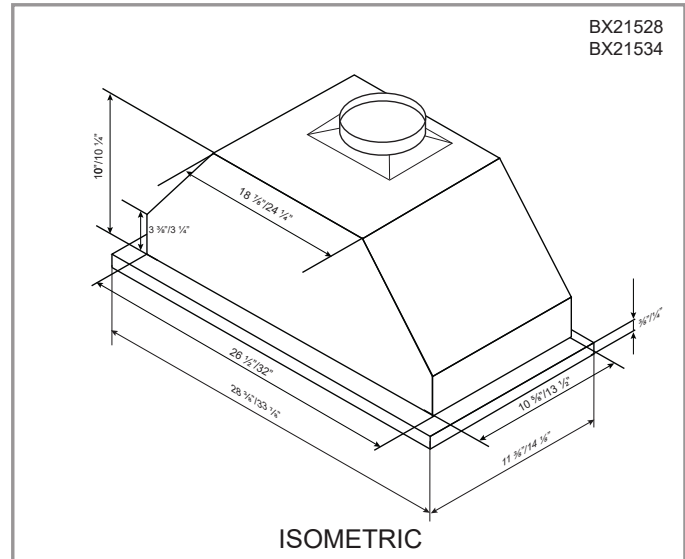
Cyclone Range Hoods Inc.

1361 Huntingwood Drive, Unit 16. Toronto, ON. M1S 3J1. Canada.

Toll Free: 1-888-293-5662 Tel: (416) 293-0933 Fax: (416) 293-4793 Website: www.CycloneRangeHoods.com

Features

- Insert range hood
- 6" round duct adapter
- Non-stick aluminum fan blades
- 3 speed slide control
- Quick release aluminum mesh filters
- 2 LED light bulbs (2 x 1.5W, GU10, 3500K)
- Plug-in connection



Options

- Widths: 28", 34"
- Charcoal Filter: CF01

Specifications

- | | | |
|--|--|--|
| <ul style="list-style-type: none"> • Air Flow Volume: 550 CFM • Electrical Connection: 120 V/60 Hz • Power Consumption: 300 Watts | <ul style="list-style-type: none"> • Current: 2.5 Amps • Fan Speed: 1599 RPM • Fan Type: Centrifugal Blower | <ul style="list-style-type: none"> • Finishes: Stainless Steel • Ducting: 6" Round • Noise Level: Min. 2 Sones
Max. 6 Sones |
|--|--|--|

