

CG180 | Garage Fan



Garage Fan

Ensure a healthy garage environment with the Cyclone Garage Exhaust Fan. Protect your family from chemicals and musty air throughout the year. Prevent carbon monoxide buildup from car exhaust in your home. Revolutionize air quality where it matters most. Enjoy fresh, crisp, clean air in your garage.



Benefits

- Get rid of dangerous carbon monoxide from vehicle exhaust
- Keeps garage cool in summer, reduce power consumption from A/C
- Removes paint fumes, chemicals and other toxins from the garage
- Removes condensation which if unchecked leads to mildew and mold
- Safe for pets
- Protects the contents of your garage (tools, sports equipment, Christmas decorations etc.)
- Recommended for garage up to 160 sqft

Features

- Quiet operation
- Continuous operation
- Suited for simple retrofit or new construction installations
- Easy to install
- Maintenance-free
- Plug-in or hardwired connection
- Dual mounting (wall or ceiling)
- Thermally protected
- Automatic shutters
- Telescopic 6" duct (extends up to 11")
- Plastic exterior grille included
- Recommended maximum duct run - 5'

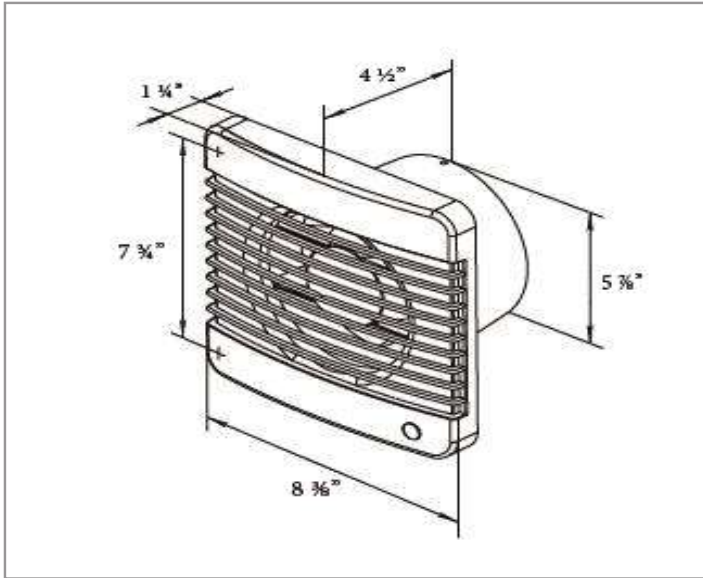


Cyclone Range Hoods Inc.

1361 Huntingwood Drive, Unit 16. Toronto, ON. M1S 3J1. Canada.

Toll Free: 1-888-293-5662 Tel: (416) 293-0933 Fax: (416) 293-4793 Website: www.CycloneRangeHoods.com

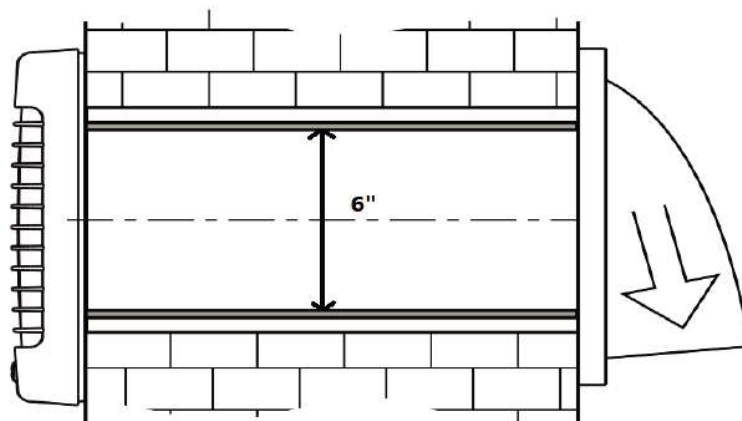
CG180 | Garage Fan



Model	CG180
Duct Size (Inches)	6
Electrical Connection (V/Hz)	120/60
Power Consumption (Watts)	35.2
Current (Amps)	0.4
Air Flow Volume (CFM)	176
Fan Speed (RPM)	2130
Noise Level (Sones)	2.7
Ingress Protection Rating (IP)	24
Operating Ambient Temperature (°C)	0 to +45
Transported Air Temperature (°C)	0 to +45
Fan Type	Axial
Finish	White




Inner side of
the wall




Outer side of
the wall