

# SV130 | Energy Recovery Ventilator

**Cyclone**<sup>®</sup>  
Breathe Better

## ERV

Introducing the SV130 Energy Recovery Ventilator (ERV), a ductless, through-the-wall, high-efficiency solution for optimal indoor comfort. Its advanced ceramic energy accumulator boasts an 88% regeneration efficiency, using extracted air energy to temper supply airflow. This accumulator is treated with an antibacterial coating to prevent regenerator bacteria growth.



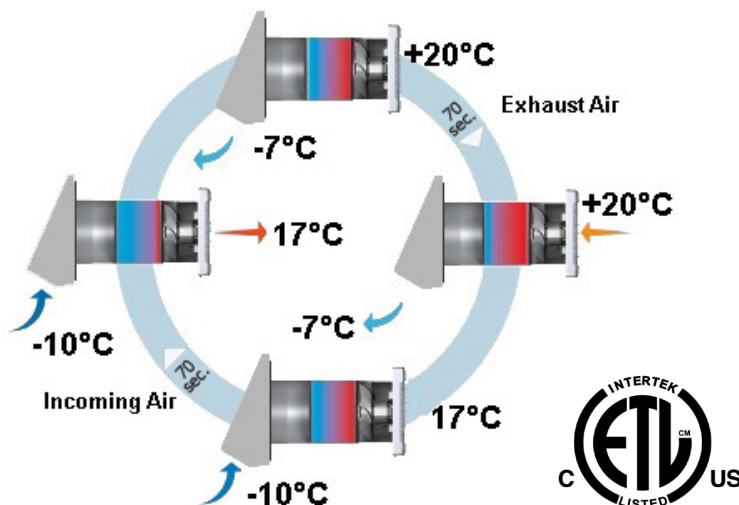
## Benefits

- Bringing in fresh oxygen-rich air without increasing your heating or cooling bill
- Maintains optimum air quality in your home
- Ideal for apartments, hotels, cottages, cafes and long-term facilities
- Maintains a comfortable humidity level
- Brings in fresh tempered air during winter when it may not be comfortable to open the window due to the cold
- Antibacterial treatment of ERV core and filters, and no defrost mechanism required
- Optimized for rooms up to 500 square feet
- Easy and convenient through the exterior wall mounting
- Up to ten (10) Cyclone SV130 ventilators can be connected in a series via a wired connection (see manual)



## Features

- 2 x 70-sec cycles, alternating between exhausting indoor stale air and bringing in fresh air
- High-tech ceramic core with sensible recovery efficiency up to 88%
- Reversible axial DC motor with low energy demand
- 4 ventilation modes and 3 speeds
- Multifunctional wireless remote control
- Silent operation
- Easy mounting and maintenance
- Two MERV 5 filters ensure air purification
- Rated for continuous operation
- No condensation generated during operation
- Front grille with automatic shutters
- Telescopic 6" duct (extends up to 18 1/2")
- Stainless steel outer hood
- Recommended maximum duct run - 17'
- Completely ductless, directly vents to exterior

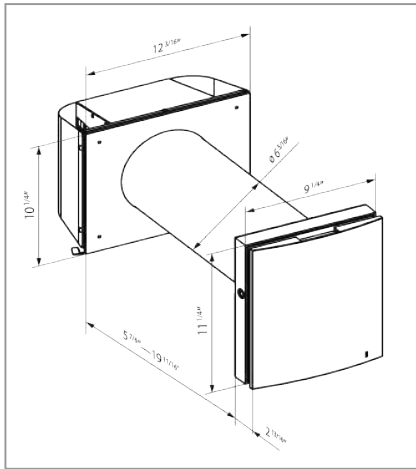


Cyclone Range Hoods Inc.

1361 Huntingwood Drive, Unit 16. Toronto, ON. M1S 3J1. Canada.

Toll Free: 1-888-293-5662 Tel: (416) 293-0933 Fax: (416) 293-4793 Website: [www.CycloneRangeHoods.com](http://www.CycloneRangeHoods.com)

# SV130 | Energy Recovery Ventilator

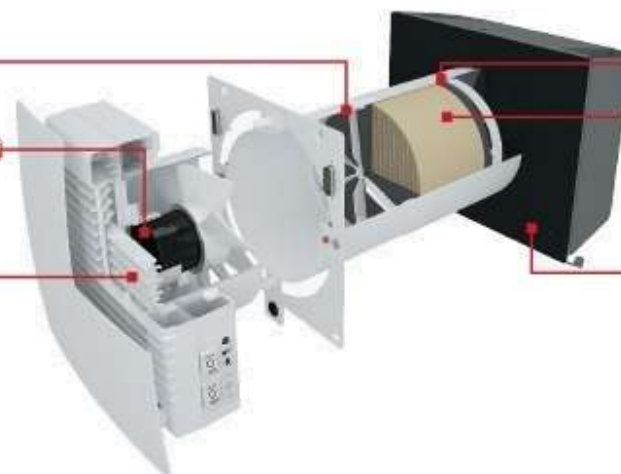


Model	SV130		
Speed	1	2	3
Electrical Connection (V/Hz)	120/60		
Power Consumption (Watts)	4.5	5.0	7.0
Current (Amps)	0.045	0.049	0.076
Air Flow Volume - Ventilation/Regeneration (CFM)	12/6	19/9	30/15
Fan Speed (RPM)	610	800	1450
Sensible Recovery Efficiency	Up to 88%		
Noise Level (Sones)	0.2	0.4	0.5
Ingress Protection Rating (IP)	24		
Operating Ambient Temperature (°C)	-20 to +50		
Transported Air Temperature (°C)	-20 to +40		
Finish	White		

MERV5 air filter  
Antibacterial treatment

Reversible axial DC fan  
5.7 [CFM/W]

Front grille with  
automatic shutters  
(for all models)



Telescopic duct, dia 6"

Ceramic ERV core with  
ARE up to 88%  
Antibacterial treatment  
No defrost needed

Outer hood