



## Island Hood

The SC(B)521 is the perfect balance of substance and style with an arched glass canopy framing a classic design, giving it a modern appeal. The hood features a three-speed digital control panel, two LED lights and baffle or mesh filters.



## Green Features



3 Speed Push Button  
Control Panel



Long-Lasting  
LED Lights



Time-Delay  
OFF Feature



Grease Cup

Model	Colour	Ducting	Filters	Size	CFM
SIB52136	Stainless Steel	6"	Baffle	36"	600

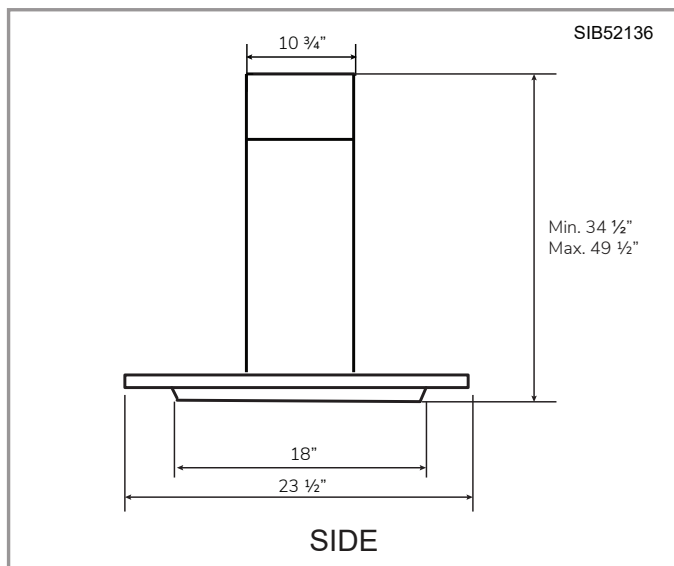
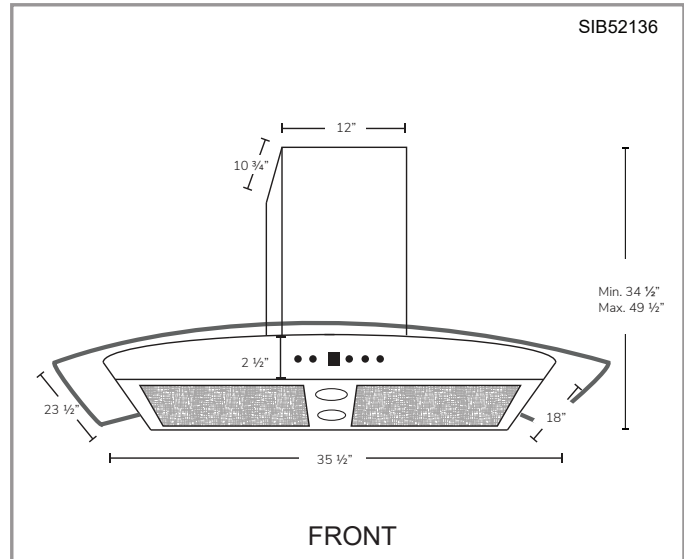
### Cyclone Range Hoods Inc.

1361 Huntingwood Drive, Unit 16. Toronto, ON. M1S 3J1. Canada.

Toll Free: 1-888-293-5662 Tel: (416) 293-0933 Fax: (416) 293-4793 Website: [www.CycloneRangeHoods.com](http://www.CycloneRangeHoods.com)

## Features

- Island range hood
- 6" round duct adapter
- Non-stick aluminum fan blades
- 3 speed push button control
- 2 LED lights (2 x 1.4W, 4000K)
- Quick release stainless steel baffle filters
- Standard chimney fits up to 9 ft. ceiling
- Up to 9 minutes time-delay OFF feature
- Plug-in connection



## Options

- Filters:
  - SIB521 - Quick Release Stainless Steel Baffle Filters
- Chimney Flues:
  - IS2.CH16 - short (7'-8' ceilings)
  - IS2.CH24 - standard (8'-9' ceilings)
  - IS2.CH32 - extended (9'-11' ceilings)

## Specifications

- |  |  |  |
|--|--|--|
| <ul style="list-style-type: none"> <li>• Air Flow Volume: 600 CFM</li> <li>• Electrical Connection: 120 V/60 Hz</li> <li>• Power Consumption: 300 Watts</li> </ul> | <ul style="list-style-type: none"> <li>• Current: 2.5 Amps</li> <li>• Fan Speed: 1599 RPM</li> <li>• Fan Type: Centrifugal Blower</li> </ul> | <ul style="list-style-type: none"> <li>• Finishes: Stainless Steel</li> <li>• Ducting: 6" Round</li> <li>• Noise Level: Min. 2 Sones<br/>Max. 6 Sones</li> </ul> |
|--|--|--|

