



Island Hood

The SI(B)520 conveys to guests that the chef in this household knows their stuff and is doing some serious cooking. Simple in design with four mesh or baffle filters in opposing corners, two bright LED lights for optimal lighting, and a strong sturdy stainless steel frame.



Green Features



3 Speed Push Button
Control Panel



Long-Lasting
LED Lights



Time-Delay
OFF Feature



Grease Cup

Model	Colour	Ducting	Filters	Size	CFM
SIB52036	Stainless Steel	6"	Baffle	36"	600

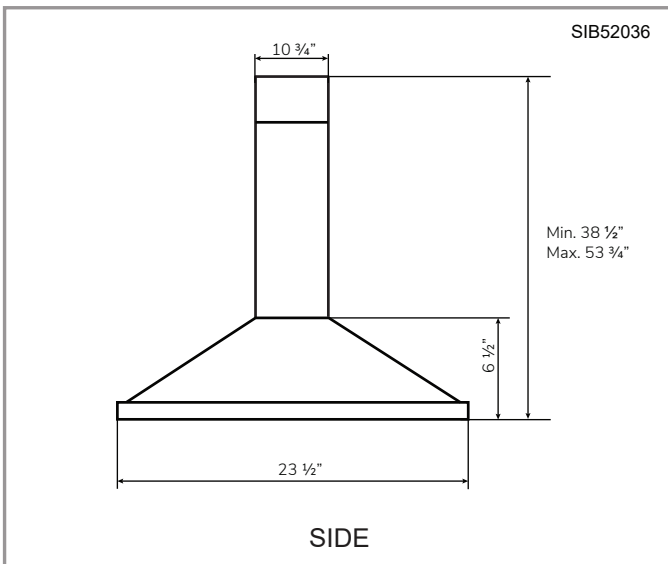
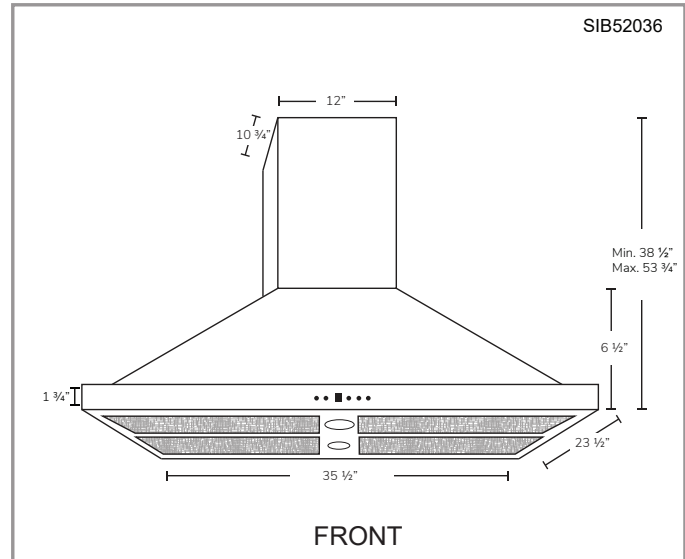
Cyclone Range Hoods Inc.

1361 Huntingwood Drive, Unit 16. Toronto, ON. M1S 3J1. Canada.

Toll Free: 1-888-293-5662 Tel: (416) 293-0933 Fax: (416) 293-4793 Website: www.CycloneRangeHoods.com

Features

- Island range hood
- 6" round duct adapter
- Non-stick aluminum fan blades
- 3 speed push button control
- 2 LED lights (2 x 1.4W, 4000K)
- Quick release stainless steel baffle filters
- Standard chimney fits up to 9 ft. ceiling
- Up to 9 minutes time-delay OFF feature
- Plug-in connection



Options

- Filters:
 - SIB520 - Quick Release Stainless Steel Baffle Filters
- Chimney Flues:
 - IS1.CH16 - short (7'-8' ceilings)
 - IS1.CH24 - standard (8'-9' ceilings)
 - IS1.CH32 - extended (9'-11' ceilings)

Specifications

- | | | |
|--|--|--|
| <ul style="list-style-type: none"> ▪ Air Flow Volume: 600 CFM ▪ Electrical Connection: 120 V/60 Hz ▪ Power Consumption: 300 Watts | <ul style="list-style-type: none"> ▪ Current: 2.5 Amps ▪ Fan Speed: 1599 RPM ▪ Fan Type: Centrifugal Blower | <ul style="list-style-type: none"> ▪ Finishes: Stainless Steel ▪ Ducting: 6" Round ▪ Noise Level: Min. 2 Sones
Max. 6 Sones |
|--|--|--|

