



Island Hood

The SI(B)531 features four filters in opposing corners, two bright LED lights, and a straight edge stainless steel frame. The powerful motor removes grease from the air while staying incredibly quiet. This is a quality fan for cooks who demand performance in the kitchen. Fitted with a time-delay OFF feature up to nine minutes.

Green Features



3 Speed Push Button Control Panel



Long-Lasting LED Lights



Time-Delay OFF Feature



Grease Cup



Model	Colour	Ducting	Filters	Size	CFM
SI53136	Stainless Steel	6"	Mesh	36"	600
SIB53136	Stainless Steel	6"	Baffle	36"	600

Cyclone Range Hoods Inc.

1361 Huntingwood Drive, Unit 16. Toronto, ON. M1S 3J1. Canada.

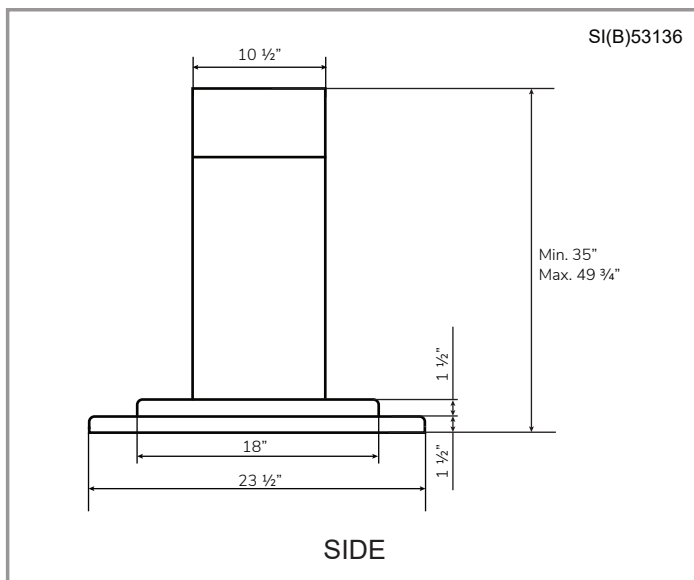
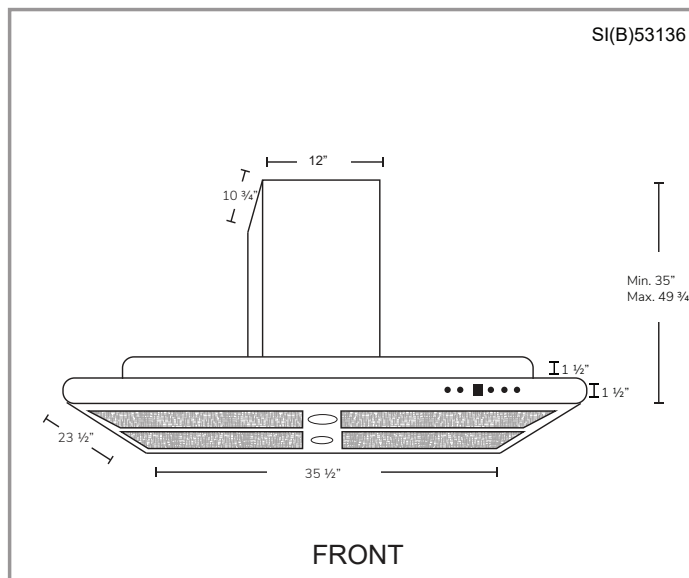
Toll Free: 1-888-293-5662 Tel: (416) 293-0933 Fax: (416) 293-4793 Website: www.CycloneRangeHoods.com

SI(B)531 | ALITO Collection



Features

- Island range hood
- 6" round duct adapter
- Non-stick aluminum fan blades
- 3 speed push button control
- 2 LED lights (2 x 1.4W, 4000K)
- Quick release aluminum mesh filters
- Standard chimney fits up to 9 ft. ceiling
- Up to 9 minutes time-delay OFF feature
- Plug-in connection



Options

- Filters:
 - SI531 - Quick Release Aluminum Mesh Filters
 - SIB531 - Quick Release Stainless Steel Baffle Filters
- Chimney Flues:
 - IS1.CH16 - short (7'-8' ceilings)
 - IS1.CH24 - standard (8'-9' ceilings)
 - IS1.CH32 - extended (9'-11' ceilings)

Specifications

- Air Flow Volume: 600 CFM
- Electrical Connection: 120 V/60 Hz
- Power Consumption: 240 Watts
- Current: 2.0 Amps
- Fan Speed: 1599 RPM
- Fan Type: Centrifugal Blower
- Finishes: Stainless Steel
- Ducting: 6" Round
- Noise Level: Min. 2 Sones
Max. 6 Sones

