



## Wall Mount

Subtle and understated, this simple and elegantly designed fan is an absolutely beautiful addition to any set of upscale kitchen appliances. The sleek curved glass protects the chimney of this powerful 650 CFM blower. Features three-speed push button control panel, two bright LED lights, and time-delay feature up to nine minutes.

## Green Features



3 Speed  
Push Button  
Control Panel



Long-Lasting  
LED Lights



Time-Delay  
OFF Feature



Grease Cup



Model	Colour	Ducting	Filters	Size	CFM
SC71236	Stainless Steel	6"	Mesh	36"	650
SCB71236	Stainless Steel	6"	Baffle	36"	650

### Cyclone Range Hoods Inc.

1361 Huntingwood Drive, Unit 16. Toronto, ON. M1S 3J1. Canada.

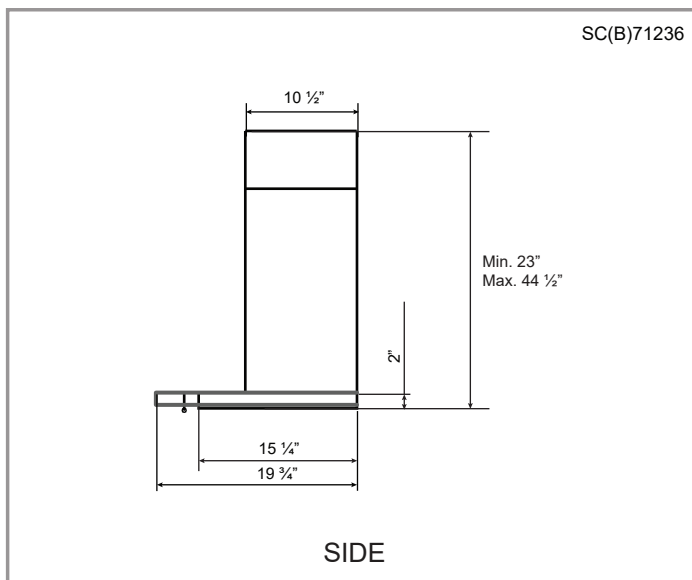
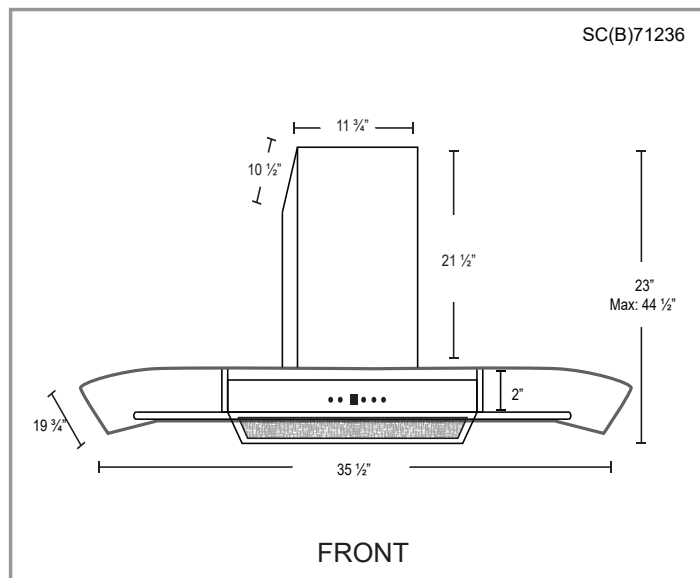
Toll Free: 1-888-293-5662 Tel: (416) 293-0933 Fax: (416) 293-4793 Website: [www.CycloneRangeHoods.com](http://www.CycloneRangeHoods.com)

# SC(B)712 | PRO Collection



## Features

- Wall mount range hood
- 6" round duct adapter
- Non-stick aluminum fan blades
- 3 speed push button control
- 2 LED lights (2 x 1.4W, 4000K)
- Standard chimney fits up to 9 ft. ceiling
- Up to 9 minutes time-delay OFF feature
- Plug-in connection



## Options

- Filters:
  - SC712 - Quick Release Aluminum Mesh Filters
  - SCB712 - Quick Release Stainless Steel Baffle Filters
- Chimney Flues:
  - B1.CH16 - short (7'-8' ceilings)
  - B1.CH22 - standard (8'-9' ceilings)
  - B1.CH32 - extended (9'-11' ceilings)
- Widths: 36"

## Specifications

- |  |  |  |
|--|--|--|
| <ul style="list-style-type: none"><li>▪ Air Flow Volume: 650 CFM</li><li>▪ Electrical Connection: 120 V/60 Hz</li><li>▪ Power Consumption: 300 Watts</li></ul> | <ul style="list-style-type: none"><li>▪ Current: 2.5 Amps</li><li>▪ Fan Speed: 1599 RPM</li><li>▪ Fan Type: Centrifugal Blower</li></ul> | <ul style="list-style-type: none"><li>▪ Finishes: Stainless Steel</li><li>▪ Ducting: 6" Round</li><li>▪ Noise Level: Min. 2 Sones<br/>Max. 7 Sones</li></ul> |
|--|--|--|

