

PTB83 | PRO Collection



Undermount

Cyclone is excited to introduce its grandest undermount ever. Perfect for high-heat cooking. The PTB83 has an incredible 3-speed 300 CFM fan wrapped in an imposing 18" tall stainless steel body. Quickly rid your kitchen of smoke and grease. Comes with durable and dishwasher-friendly baffle filters, 2 bright LED lights and a 6" duct connection for optimal performance and convenient installation, all backed by the best warranty in the business.

Green Features



3 Speed
Push Button
Control Panel



Dishwasher Safe
Baffle Filters



Time-Delay
OFF Feature



Grease Cup



Long-Lasting
LED Lights



Grease Tray



Model	Colour	Ducting	Filters	Size	CFM
PTB8324	Stainless Steel	6"	Baffle	24"	300

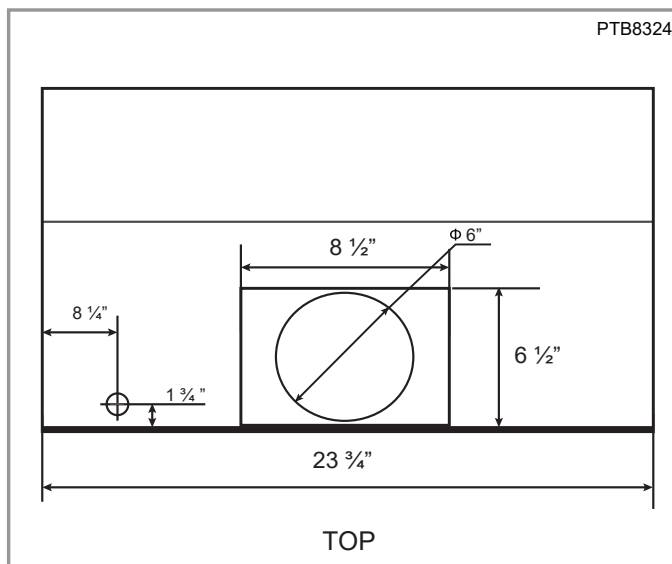
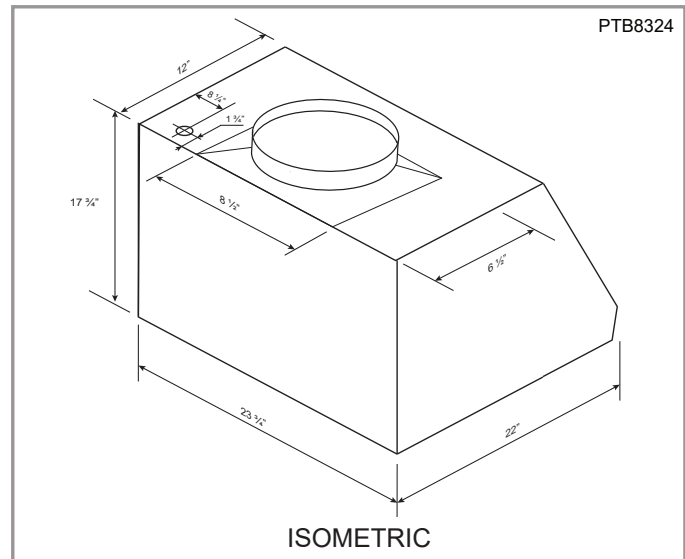
Cyclone Range Hoods Inc.

1361 Huntingwood Drive, Unit 16. Toronto, ON. M1S 3J1. Canada.

Toll Free: 1-888-293-5662 Tel: (416) 293-0933 Fax: (416) 293-4793 Website: www.CycloneRangeHoods.com

Features

- Undermount range hood
- 6" round duct adapter
- Non-stick aluminum fan blades
- 3 speed push button control
- 2 LED lights (2 x 1.4W, 4000K)
- Dishwasher-safe baffle filters with integrated handles
- 3 minutes time-delay OFF feature
- Hard-wire connection



Options

- Widths: 24" only
- Charcoal Filter: CF01

Note: 24" in stainless steel only
Chimney available for wall mount application

Specifications

- | | | |
|--------------------------------------|--------------------------------|---|
| ▪ Air Flow Volume: 300 CFM | ▪ Current: 2.5 Amps | ▪ Finishes: Stainless Steel |
| ▪ Electrical Connection: 120 V/60 Hz | ▪ Fan Speed: 1350 RPM | ▪ Ducting: 6" Round |
| ▪ Power Consumption: 300 Watts | ▪ Fan Type: Centrifugal Blower | ▪ Noise Level: Min. 2 Sones
Max. 4 Sones |

