

NA330R | PRO Collection



Undermount

The NA330R incorporates the best features of our PRO series with our Classic series of under-mount fans. Features a heavy-duty 680 CFM fan and bright, dual-setting LED lights with machine-washable, professional-grade baffle filters.

Green Features



6 Speed Digital Control Panel



Dishwasher Safe Baffle Filters



Grease Tray



Long-Lasting LED Lights



Time-Delay OFF Feature



Grease Ring



Model	Colour	Duct	Filters	Size	CFM
NA330R30	Stainless Steel	6"	Baffle	30"	680
NA330R36	Stainless Steel	6"	Baffle	36"	680

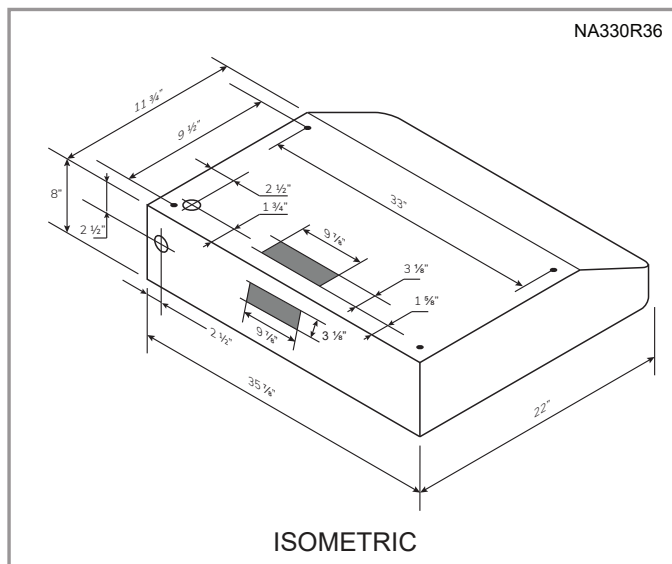
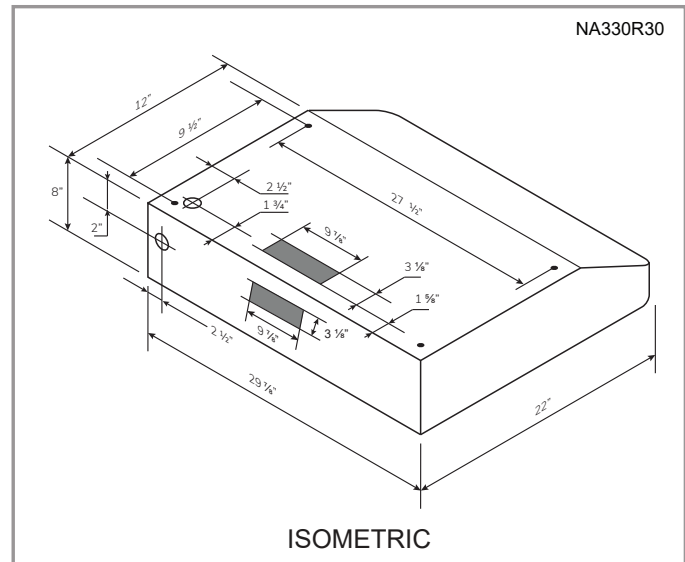
Cyclone Range Hoods Inc.

1361 Huntingwood Drive, Unit 16. Toronto, ON. M1S 3J1. Canada.

Toll Free: 1-888-293-5662 Tel: (416) 293-0933 Fax: (416) 293-4793 Website: www.CycloneRangeHoods.com

Features

- Undermount range hood
- 3 ¼" x 10" rectangular damper
- Non-stick aluminum fan blades
- 6 speed digital touch control panel
- 2 LED lights (2 x 1.4W, 4000K)
- Dishwasher-safe baffle filters with integrated handles
- Up to 60 minutes time-delay OFF feature
- Hard-wire connection



Options

- Widths: 30", 36"

Note: 36" comes with 3 filters

Specifications

- | | | |
|---|--|---|
| <ul style="list-style-type: none"> ▪ Air Flow Volume: 680 CFM ▪ Electrical Connection: 120 V/60 Hz ▪ Power Consumption: 280 Watts ▪ Current: 2.4 Amps | <ul style="list-style-type: none"> ▪ Fan Speed: 1600 RPM ▪ Fan Type: Dual Axial Blower ▪ Finishes: Stainless Steel ▪ Ducting: 6" Round | <ul style="list-style-type: none"> ▪ Noise Level: Min. 2 Sones
Max. 7 Sones ▪ Knock-out: 3 ¼" x 10"
Rectangular
(Top or Rear) |
|---|--|---|

