

ESLPD3S100 | BATH Ventilation

Cyclone[®]
Breathe Better

Ventilation Fan

Remove odours and humidity quietly and efficiently with our ENERGY STAR certified high-performance bath fan. Equipped with a high-density polyethylene (hard rigid plastic) fan for ultra-quiet operation and long-lasting durability. Choose your fan speed for optimum CFM output. Incredibly low-profile bath fan makes installation and accommodation a breeze. Our ceiling-mounted fan meets all cETLus safety standards.



Customize with the following SMART Options:

- **Humidity Sensor** to automatically regulate moisture and protect your home and family from mold
- **Motion Sensor** for unparalleled convenience

Features

- 3 speed options in one fan: 50 CFM / 80 CFM / 100 CFM
- Max. 1.2 sones
- Thermal fuse protection
- ENERGY STAR certified
- Includes 4" duct connector
- Recommended for bathrooms up to 95 sqft (8' ceiling)
- Low speed runs continuously (Adjustable 0, 30 CFM to Max. CFM)

Housing

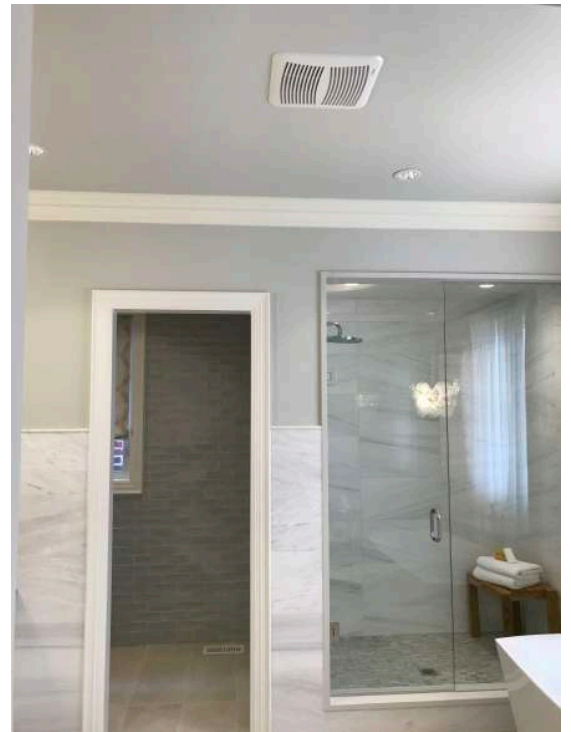
- Wiring from inside or outside housing with 8" leads
- 26 gauge galvanized steel housing (corrosion resistant)

Motor

- Includes a built in overload disconnect for safety and longer motor life
- Includes a capacitor start motor that performs with high efficiency and long lasting reliability
- Plug-in permanently lubricated DC motor, engineered for continuous operation

Installation

- Fit any joist from Min: 12" to Max: 24" width spans
- Can be mounted with flange or hanger bars
- 4" diameter duct connectors supplied
- Heavy duty triple point mounting brackets that can be adjusted up to 24 inch joist centers without vibration
- Premium grille is made of rugged polymeric resin for durability & comes with torsion spring clips for even mounting



Cyclone Range Hoods Inc.

1361 Huntingwood Drive, Unit 16. Toronto, ON. M1S 3J1. Canada.

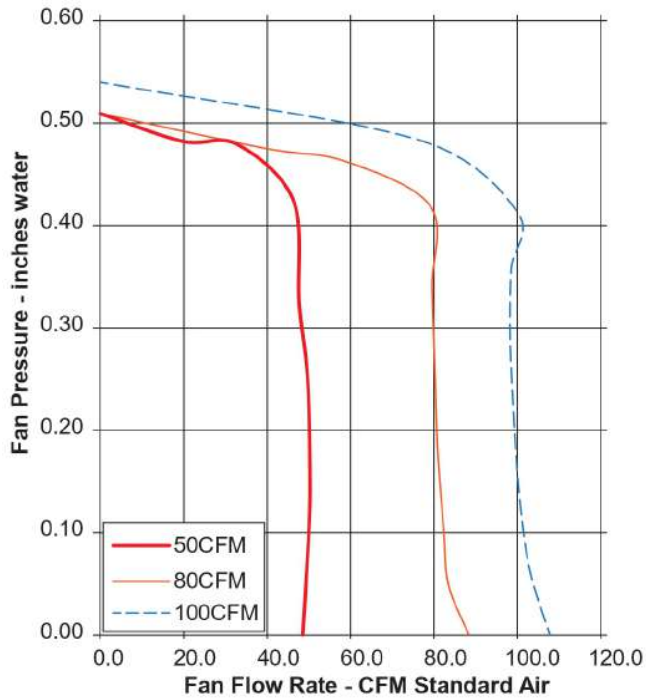
Toll Free: 1-888-293-5662

Tel: (416) 293-0933

Fax: (416) 293-4793

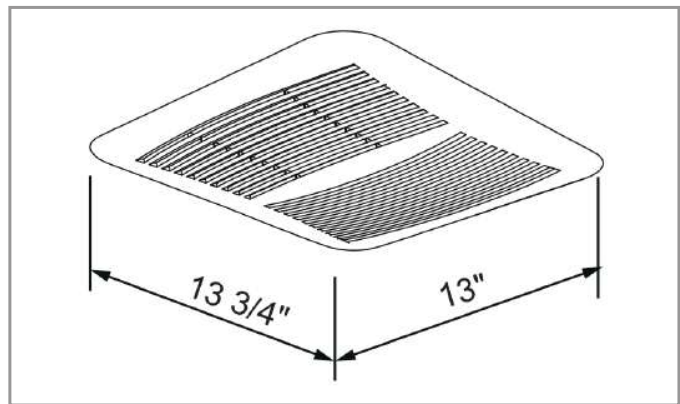
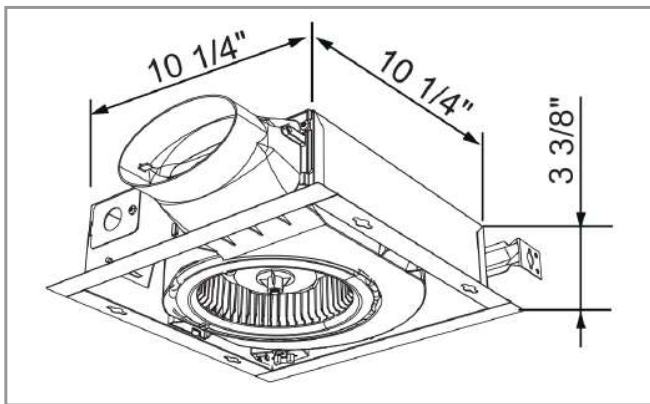
Website: www.CycloneRangeHoods.com

ESLPD3S100 | BATH Ventilation



| SPECIFICATIONS | ESLPD3S100 | | |
|------------------------------|-------------|-----|-----|
| Static Pressure | 0.1 | 0.1 | 0.1 |
| Noise Level (Sones) | 0.6 | 1.0 | 1.2 |
| Air Flow Volume (CFM) | 50 | 80 | 100 |
| Current (Amps) | 0.1 | | |
| Power Consumption (Watts) | 12 | | |
| Electrical Connection (V/Hz) | 120/60 | | |
| Thermal Fuse Protection | Yes | | |
| Motor Type | DC | | |
| Blower Wheel | Centrifugal | | |
| Duct Diameter | 4" | | |
| Humidity Sensor | * | | |
| Motion Sensor | * | | |

*Available Smart Options



| Model | Description | Packaging | Contractor Pack | Master Pack |
|--------------|---------------------------------|------------|-----------------|-------------|
| ESLPD3S100 | Bathroom Ventilation | Individual | - | - |
| ESLPD3S100H | with Humidity Sensor | Individual | - | - |
| ESLPD3S100M | with Motion Sensor | Individual | - | - |
| ESLPD3S100MH | with Motion and Humidity Sensor | Individual | - | - |