

ESCBP80 | BATH Ventilation

Cyclone[®]
Breathe Better

Ventilation Fan

Cyclone's new HushTone Bathroom ceiling fans feature incredibly quiet plastic fan blades to efficiently remove the polluted and moist air from your bathroom, leaving your home smelling fresh and clean. The special Energy Star rated HushTone ESCBP80 is powerful enough to handle the most irritating pollutants and potent odours with a powerful 80 CFM fan.

Customize with the following SMART Options:

- **Bluetooth Speaker** connect to your various smart devices and enjoy audio entertainment from your Cyclone Bath Fan.
- **Humidity Sensor** to automatically regulate moisture and protect your home and family from mold
- **LED Light Panel** for extra illumination without having to take up further electrical space

Features

- 80 CFM
- 0.4 Sones
- Thermal fuse protection
- Holds special Energy Star approval for energy-saving value
- Includes 6" duct connector (6" to 4" reducer included)
- Recommended for bathrooms up to 75 sqft (8' ceiling)

Housing

- Wiring from inside or outside housing with 8" leads
- 26 gauge galvanized steel housing (corrosion resistant)

Motor

- Mounted with four anti-vibration grommets
- Includes a built in overload disconnect for safety and longer motor life
- Operates at lower RPM's for quieter operation
- Plug-in permanently lubricated motor



Installation

- Fit any joist from Min: 12" to Max: 24" width spans
- Can be mounted with flange or hanger bars
- 4" diameter duct connector supplied
- Heavy duty triple point mounting brackets that can be adjusted up to 24 inch joist centers without vibration
- Premium grille is made of rugged polymeric resin for durability & comes with torsion spring clips for even mounting



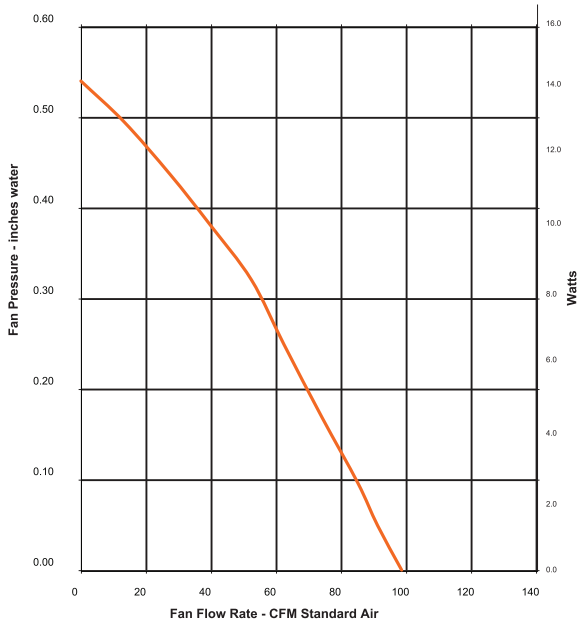
Cyclone Range Hoods Inc.

1361 Huntingwood Drive, Unit 16. Toronto, ON. M1S 3J1. Canada.

Toll Free: 1-888-293-5662 Tel: (416) 293-0933

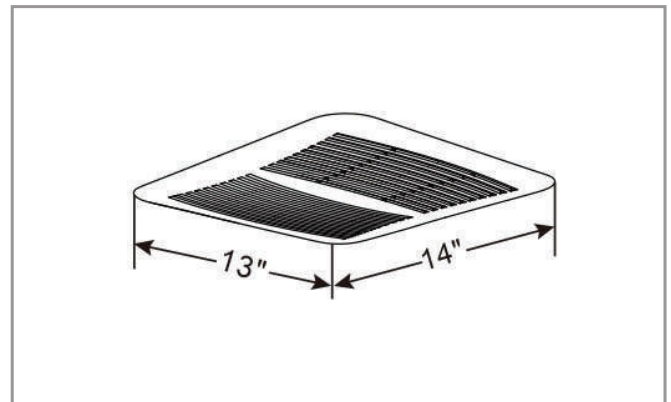
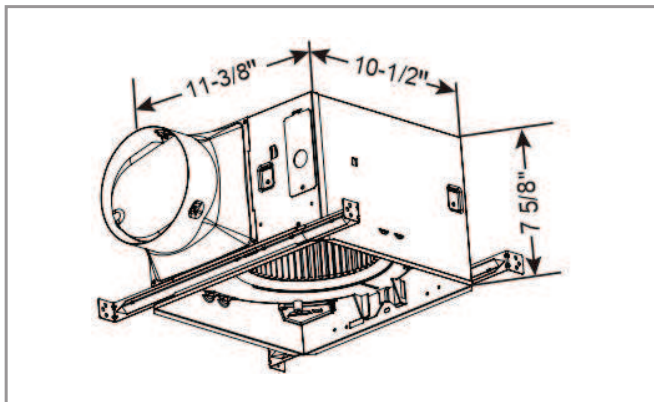
Fax: (416) 293-4793 Website: www.CycloneRangeHoods.com

ESCBP80 | BATH Ventilation



SPECIFICATIONS	ESCBP80
Static Pressure	0.1
Noise Level (Sones)	0.4
Air Flow Volume (CFM)	80
Current (Amps)	0.19
Power Consumption (Watts)	22.8
Electrical Connection (V/Hz)	120/60
Thermal Fuse Protection	Yes
Motor Type	AC
Blower Wheel	Centrifugal
Duct Diameter	4"/6"
Humidity Sensor	*
LED Light Panel	*
Bluetooth Speaker	*

*Available Smart Options



Model	Description	Package	Master Pack
ESCBP80	Energy Star Bathroom Ventilation	Individual	-
ESCBP80BT	with Bluetooth Speaker	Individual	-
ESCBP80H	with Humidity Sensor	Individual	-
ESCBP80LED	with LED Light Panel	Individual	-
ESCBP80HLED	with Humidity Sensor and LED Light Panel	Individual	-