

ESCB110-DS | BATH Ventilation

Cyclone[®]
Breathe Better

2-Speed Continuous Ventilation Fan

Cyclone's HushTone ESCB110-DS bathroom fans will very quietly and efficiently remove the polluted and moist air from your bathroom, leaving your home smelling fresh and clean. The two speed motor allows your fan to run continuously at 50 CFM and once the fan switch is turned on it automatically jumps to its maximum power of 110 CFM.

Customize with the following SMART Options:

- **Bluetooth Speaker** connect to your various smart devices and enjoy audio entertainment from your Cyclone Bath Fan.
- **Humidity Sensor** to automatically regulate moisture and protect your home and family from mold



Installation

- Fit any joist from Min: 12" to Max: 24" width spans
- Can be mounted with flange or hanger bars
- 4" diameter duct connector supplier
- Heavy duty triple point mounting brackets that can be adjusted up to 24 inch joist centers without vibration
- Premium grille is made of rugged polymeric resin for durability & comes with torsion spring clips for even mounting

Features

- 50 CFM continuous speed at 0.4 sones
- Maximum speed of 110 CFM at 1.1 sones
- Thermal fuse protection
- ENERGY STAR certified
- Includes 4" duct connector (6" connector available upon request)
- Recommended for bathrooms up to 100 sqft (8' ceiling)

Housing

- Wiring from inside or outside housing with 8" leads
- 26 gauge galvanized steel housing (corrosion resistant)

Motor

- Mounted with four anti-vibration grommets
- Includes a built in overload disconnect for safety and longer life
- Power consumption no greater than 10.6 watts and Energy Star rated efficiency of no less than 7.8 CFM per watt
- Plug-in permanently lubricated, engineered for continuous operation

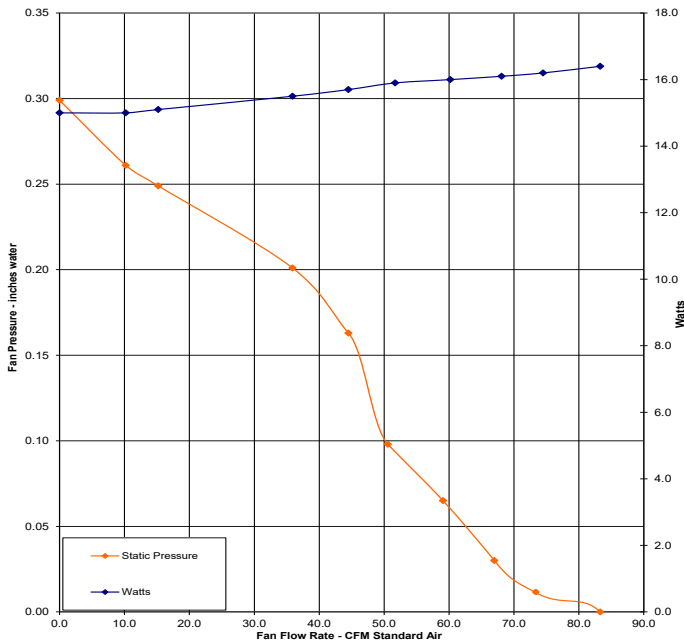


Cyclone Range Hoods Inc.

1361 Huntingwood Drive, Unit 16. Toronto, ON. M1S 3J1. Canada.

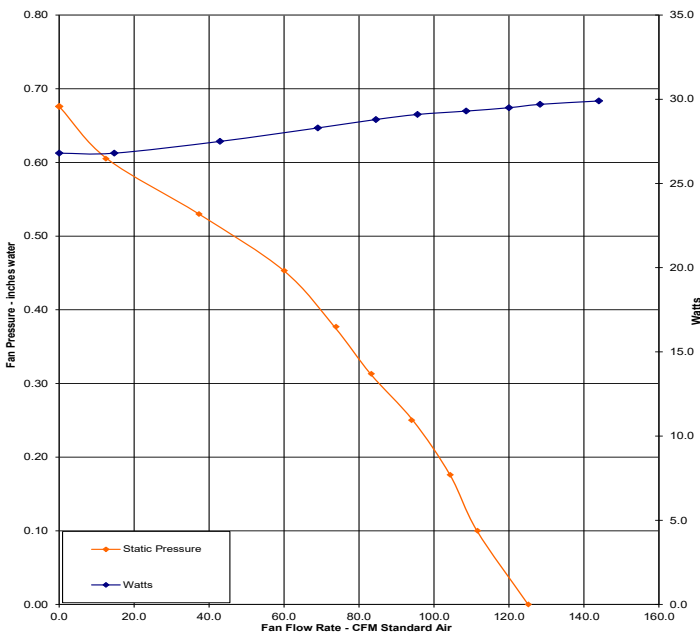
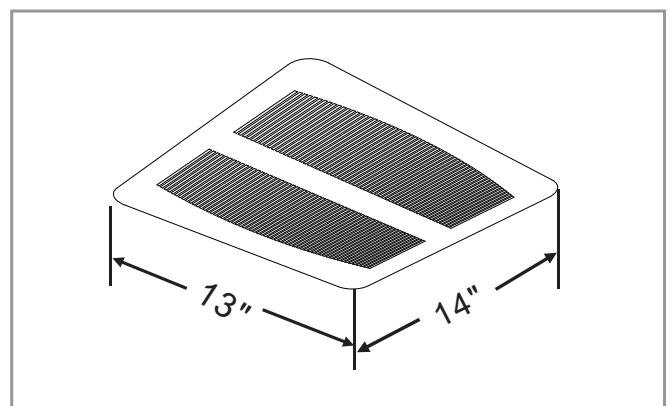
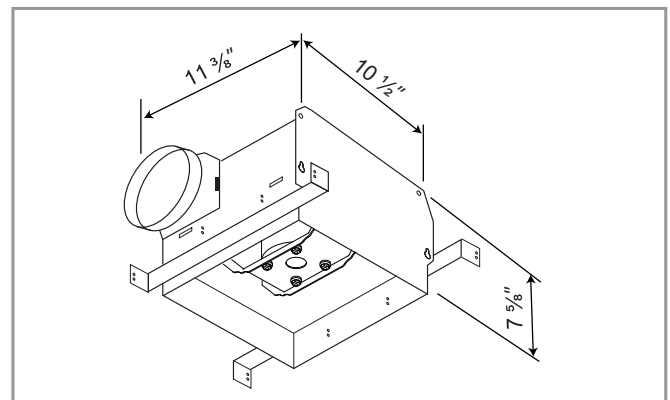
Toll Free: 1-888-293-5662 Tel: (416) 293-0933 Fax: (416) 293-4793 Website: www.CycloneRangeHoods.com

ESCB110-DS | BATH Ventilation



SPECIFICATIONS	ESCB110-DS
Static Pressure	0.1
Noise Level (Sones)	1.1
Air Flow Volume (CFM)	110
Current (Amps)	0.4
Power Consumption (Watts)	33
Electrical Connection (V/Hz)	120/60
Thermal Fuse Protection	Yes
Motor Type	AC
Blower Wheel	Centrifugal
Duct Diameter	4"
Humidity Sensor	*
Bluetooth Speaker	*

*Available Smart Options



Model	Description	Package	Master Pack
ESCB110-DS	Energy Star Bathroom Ventilation	Individual	Pack of 4
ESCB110-DSBT	with Bluetooth Speaker	Individual	-
ESCB110-DSH	with Humidity Sensor	Individual	-