



Wall Mount

Stunning, hand-crafted decorative hoods with intricate metalwork. Fully customizable with options for width, power, and finishes. Choose from matte black, satin stainless steel, or designer white, with chrome or brass strappings. The custom finishes will tie all your accent pieces together completing an elegant luxury kitchen appliance.

Green Features



3 Speed
Push Button
Control Panel



Dishwasher Safe
Baffle Filters



Time-Delay
OFF Feature



Long-Lasting
LED Lights



Model	Colour	Ducting	Filters	Size	CFM
DCB40636SSB	Stainless Steel/Brass	6"	Baffle	36"	600
DCB40642SSB	Stainless Steel/Brass	6"	Baffle	42"	600
DCB40648SSB	Stainless Steel/Brass	6"	Baffle	48"	600
DCB40936SSB	Stainless Steel/Brass	8"	Baffle	36"	900
DCB40942SSB	Stainless Steel/Brass	8"	Baffle	42"	900
DCB40948SSB	Stainless Steel/Brass	8"	Baffle	48"	900
DCB401236SSB	Stainless Steel/Brass	8"	Baffle	36"	1200
DCB401242SSB	Stainless Steel/Brass	8"	Baffle	42"	1200
DCB401248SSB	Stainless Steel/Brass	8"	Baffle	48"	1200

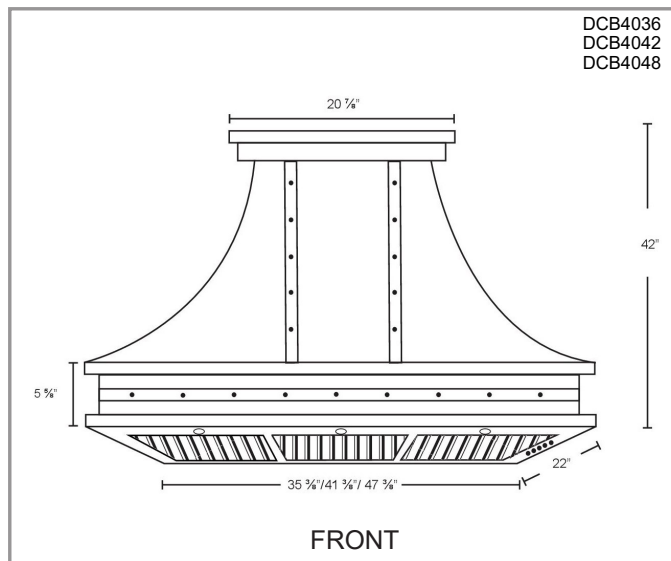
Cyclone Range Hoods Inc.

1361 Huntingwood Drive, Unit 16. Toronto, ON. M1S 3J1. Canada.

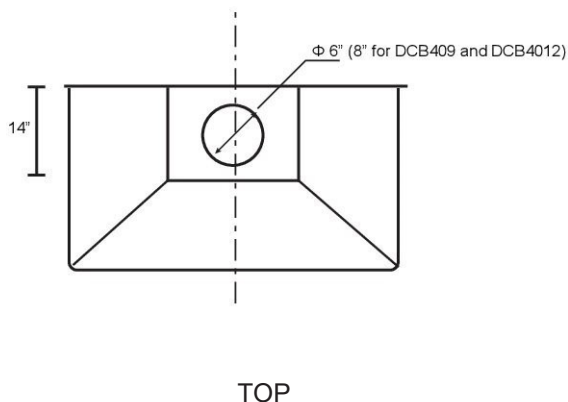
Toll Free: 1-888-293-5662 Tel: (416) 293-0933 Fax: (416) 293-4793 Website: www.CycloneRangeHoods.com

Features

- Wall mount range hood
- 8" round duct adapter (6" for 600 CFM)
- Non-stick aluminum fan blades
- 3 speed push button control
- 3 LED lights (3 x 1.4W, 4000K)
- Dishwasher-safe baffle filters
- 3 minutes time-delay OFF feature
- Fit for 9 ft ceiling only
- Plug-in connection



DCB4036
DCB4042
DCB4048



Options

- Widths: 36", 42", 48"
- Finishes: Stainless Steel/ Brass

Specifications

- | | | |
|-----------------------------------------------------------------------------------------------------------------------------------------------------------------------------|----------------------------------------------------------------------------------------------------------------------------------------------|-------------------------------------------------------------------------------------------------------------------------------------------------------------------------------------|
| <ul style="list-style-type: none"> • Air Flow Volume: 600/900/1200 CFM • Electrical Connection: 120 V/60 Hz • Power Consumption: 300 Watts | <ul style="list-style-type: none"> • Current: 2.5 Amps • Fan Speed: 1599 RPM • Fan Type: Centrifugal Blower | <ul style="list-style-type: none"> • Finishes: Stainless Steel/Brass • Ducting: 8" Round (6" for 600 CFM) • Noise Level: Min. 2 Sones
Max. TBD |
|-----------------------------------------------------------------------------------------------------------------------------------------------------------------------------|----------------------------------------------------------------------------------------------------------------------------------------------|-------------------------------------------------------------------------------------------------------------------------------------------------------------------------------------|

