

CG110 | Garage Fan



Garage Fan

Feel good about your garage with a Cyclone Garage Exhaust Fan. Your family will be protected from noxious chemicals and damp musty air all year round. Carbon monoxide from the car exhaust will never build up in your home or garage. A revolutionary way to maintain the quality of your air right where it is needed most. Breathe fresh crisp & clean air even in the garage!

Benefits

- Get rid of dangerous carbon monoxide from vehicle exhaust
- Keeps garage cool in summer, reduce power consumption from A/C
- Removes paint fumes, chemicals and other toxins from the garage
- Removes condensation which if unchecked leads to mildew and mold
- Safe for pets
- Protects the contents of your garage (tools, sports equipment, Christmas decorations etc.)
- Recommended for garages up to 110 sqft



Features

- Quiet operation
- Continuous operation
- Suited for simple retrofit or new construction installations
- Easy to install
- Maintenance-free
- Plug-in or hardwired connection
- Dual mounting (wall or ceiling)
- Thermally protected
- Includes backdraft valve
- Telescopic 6" duct (extends up to 11")
- Plastic exterior grille included
- Recommended maximum duct run - 5'

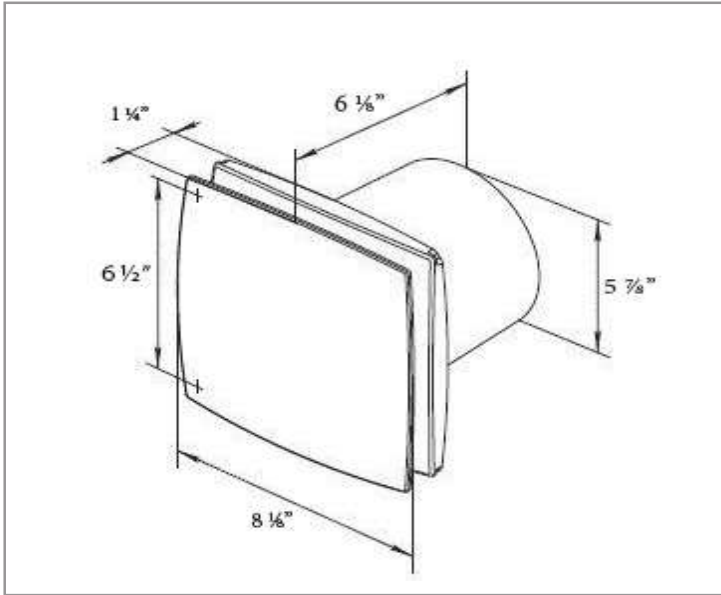


Cyclone Range Hoods Inc.

1361 Huntingwood Drive, Unit 16. Toronto, ON. M1S 3J1. Canada.

Toll Free: 1-888-293-5662 Tel: (416) 293-0933 Fax: (416) 293-4793 Website: www.CycloneRangeHoods.com

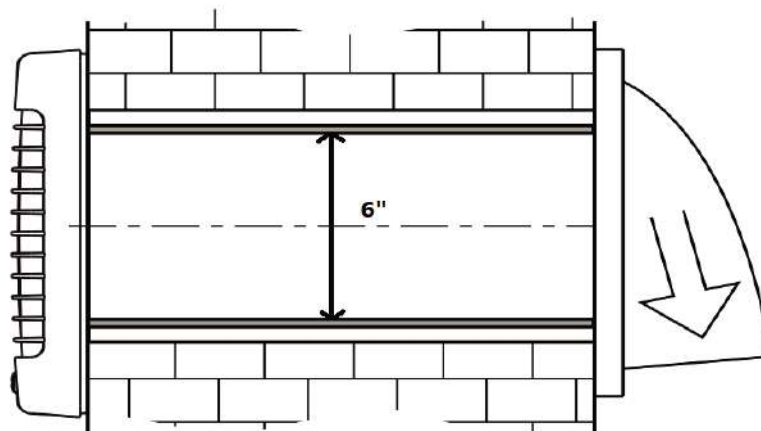
CG110 | Garage Fan



| Model | CG110 |
|------------------------------------|----------|
| Duct Size (Inches) | 6 |
| Electrical Connection (V/Hz) | 120/60 |
| Power Consumption (Watts) | 32.9 |
| Current (Amps) | 0.39 |
| Air Flow Volume (CFM) | 109 |
| Fan Speed (RPM) | 2337 |
| Noise Level (Sones) | 3 |
| Ingress Protection Rating (IP) | 34 |
| Operating Ambient Temperature (°C) | 0 to +45 |
| Transported Air Temperature (°C) | 0 to +45 |
| Fan Type | Axial |
| Finish | White |




Inner side of the wall




Outer side of the wall