

CM24M566UP- 18" DISHWASHER



Elevate your kitchen's luxury with Cyclone's flush-install, ultra-quiet dishwasher. ADA-compliant and Energy-Star certified, the CD24M566UP boasts a seamless panel-ready design. Its adjustable upper rack, steam prewash, and soil sensor guarantee spotless dishes, enhancing convenience and cleanliness.

Features



Panel Ready Design



Sensor Wash



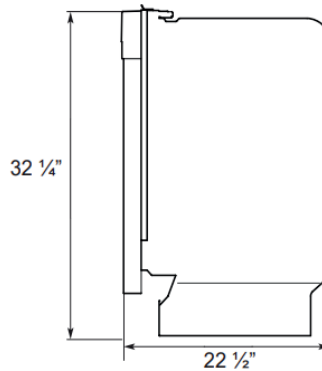
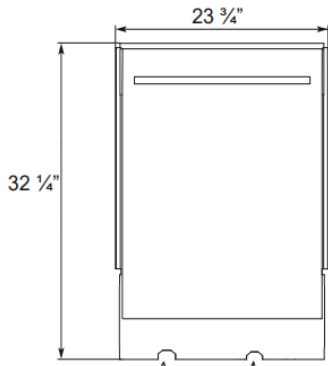
Four Stacking Layers



6 Wash Cycles



- Flush installation
- Panel-ready design
- Last cycle memory
- Adjustable upper rack
- Foldable tines
- Flexible flatware slots
- ADA (Americans with Disabilities Act) compliant
- Energy Star certified
- Stainless steel tub
- 3-filter manual filtration system (coarse filter/fine filter/lower filter)
- Soil sensor
- Top mounted control panel
- 6 washing cycles
- Heat dry / sanitize options
- "Delay" wash button
- 2 years full warranty



Note: Route the water supply line and power cable

Model	Wash Cycles	Place Settings	Size	Optional Settings
CD24M566UP	6	12	24"	Heated Dry/High Heat Wash





Specifications

- Size: 24"
- Power Consumption: 840 Watts
- Electrical Connection: 120 V/60 Hz
- Required Breaker Size: 15 Amps
- Current: 7 Amps
- Wash Time Range: 0:55~2:50 HH:MM
- Average Wash Time: 1:30~2:10 HH:MM
- Average Water Usage: 11.1~21.2 L
- Noise Level: 49 dB
- Interior Capacity: 12 place settings