

# CBPD3S100 | BATH Ventilation



## Ventilation Fan

Quickly remove odours and humidity with our whisper quiet, Energy STAR certified high-performance bath fan. Equipped with a high-density polyethylene (hard rigid plastic) fan for incredibly quiet operation and long-lasting durability. Our ceiling-mounted bath fan meets all cETLus safety standards and features a three speed DC motor.



Customize with the following SMART Options:

- **Humidity Sensor** to automatically regulate moisture and protect your home and family from mold

## Features

- 3 Speed in one fan: 50 CFM / 80 CFM / 100 CFM
- Max. 1.0 sones
- Thermal fuse protection
- Energy Star approved
- Includes 4" duct connector
- Recommended for bathrooms up to 95 sqft (8' ceiling)
- Low speed runs continuously

## Housing

- Wiring from inside or outside housing with 8" leads
- 26 gauge galvanized steel housing (corrosion resistant)

## Motor

- Includes a built in overload disconnect for safety and longer motor life
- Includes a capacitor start motor that performs with high efficiency and long lasting reliability
- Plug-in permanently lubricated DC motor, engineered for continuous operation

## Installation

- Fit any joist from Min: 12" to Max: 24" width spans
- Can be mounted with flange or hanger bars
- 4" diameter duct connectors supplied
- Heavy duty triple point mounting brackets that can be adjusted up to 24 inch joist centers without vibration
- Premium grille is made of rugged polymeric resin for durability & comes with torsion spring clips for even mounting



Cyclone Range Hoods Inc.

1361 Huntingwood Drive, Unit 16. Toronto, ON. M1S 3J1. Canada.

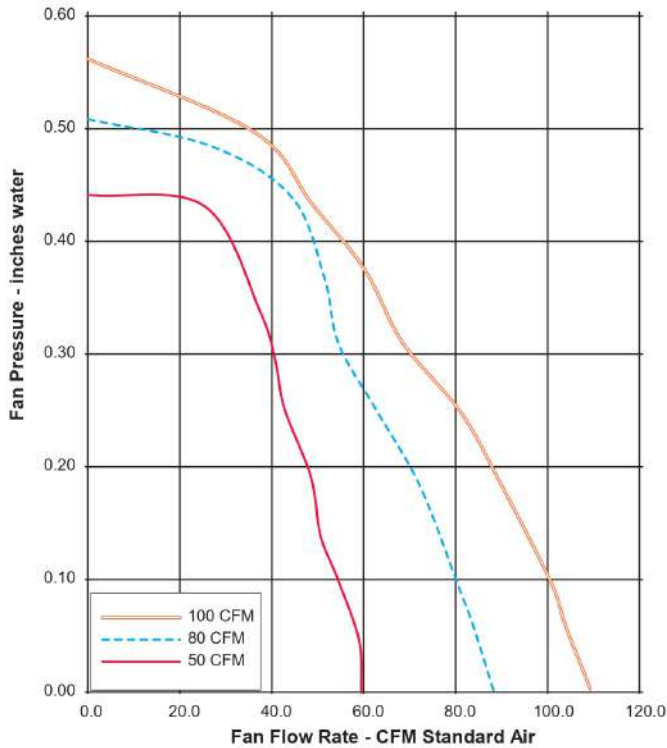
Toll Free: 1-888-293-5662

Tel: (416) 293-0933

Fax: (416) 293-4793

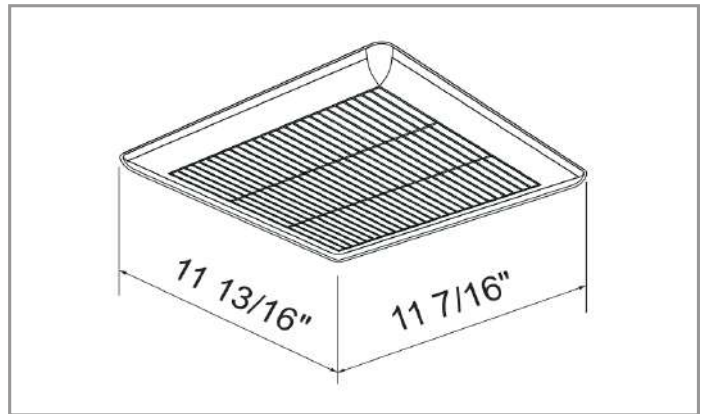
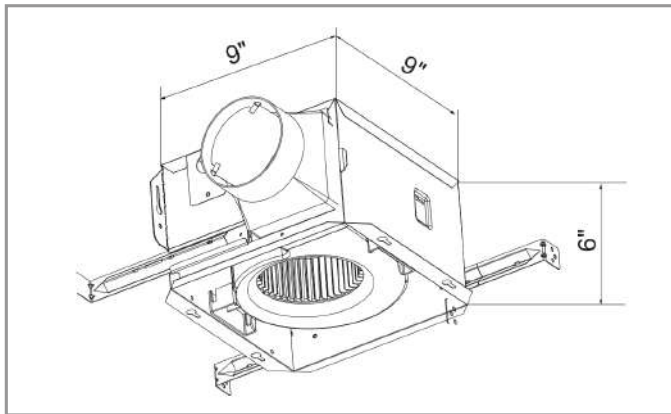
Website: [www.CycloneRangeHoods.com](http://www.CycloneRangeHoods.com)

# CBPD3S100 | BATH Ventilation



SPECIFICATIONS	CBPD3S100		
Static Pressure	0.1	0.1	0.1
Noise Level (Sones)	0.3	0.4	0.7
Air Flow Volume (CFM)	50	80	100
Current (Amps)	0.028	0.042	0.067
Power Consumption (Watts)	3.3	5.0	8.0
Electrical Connection (V/Hz)	120/60		
Thermal Fuse Protection	Yes		
Motor Type	DC		
Blower Wheel	Centrifugal		
Duct Diameter	4"		
Humidity Sensor	*		

\*Available Smart Options



Model	Description	Packaging	Contractor Pack	Master Pack
CBPD3S100	Bathroom Ventilation	Individual	-	-
CBPD3S100H	with Humidity Sensor	Individual	-	-