

C90 | BATH Ventilation



Ventilation Fan

Cyclone's HushTone bathroom ceiling fans will keep your home feeling fresh and clean all year round. Easy to install and pleasantly quiet, the C90 is perfect for slightly larger than average bathrooms with a 90 CFM fan.

Customize with the following SMART Options:

- **Humidity Sensor** to automatically regulate moisture and protect your home and family from mold
- **LED Light Panel** for extra illumination without having to take up further ceiling space

Features

- 90 CFM
- 2.0 sones:
- Includes 4" duct connector
- Recommended for bathrooms up to 85 sqft (8' ceiling)

Housing

- Wiring from inside or outside housing with 8" leads
- 26 gauge galvanized steel housing (corrosion resistant)

Motor

- Mounted with four anti-vibration grommets
- Includes a built-in overload disconnect for safety and longer motor life
- Plug-in permanently lubricated motor



Installation

- Fit any joist from Min: 12" to Max: 24" width spans
- Can be mounted with flange or hanger bars
- 4" diameter duct connector supplied
- Heavy duty triple point mounting brackets can be adjusted up to 24 inch joist centers without vibration
- Premium grille is made of rugged polymeric resin for durability & comes with torsion spring clips for even mounting

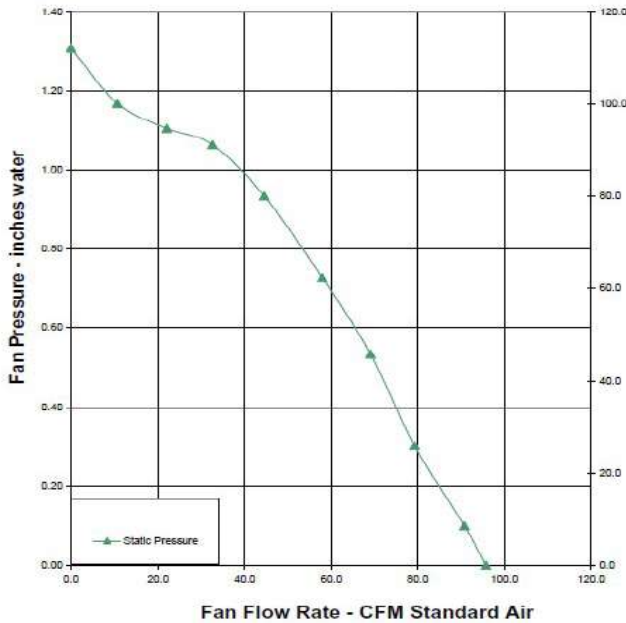


Cyclone Range Hoods Inc.

1361 Huntingwood Drive, Unit 16. Toronto, ON. M1S 3J1. Canada.

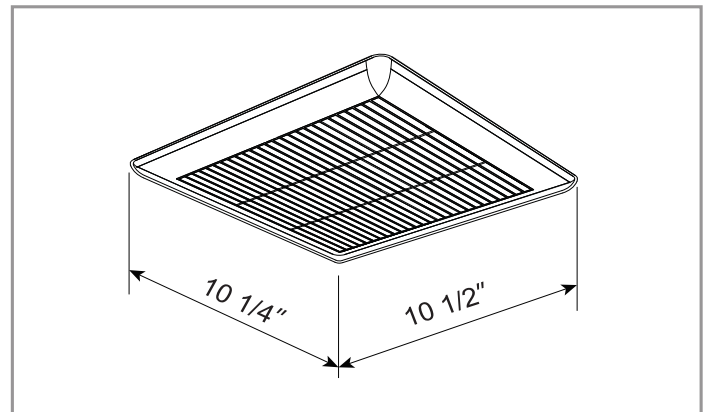
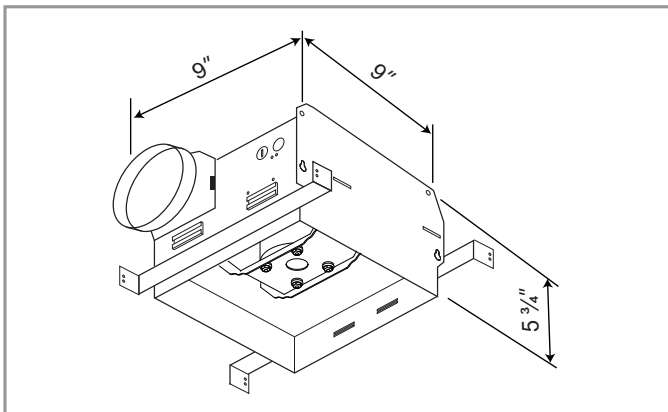
Toll Free: 1-888-293-5662 Tel: (416) 293-0933 Fax: (416) 293-4793 Website: www.CycloneRangeHoods.com

C90 | BATH Ventilation



SPECIFICATIONS	C90
Static Pressure	0.1
Noise Level (Sones)	2.0
Air Flow Volume (CFM)	90
Current (Amps)	0.4
Power Consumption (Watts)	25
Electrical Connection (V/Hz)	120/60
Thermal Fuse Protection	Yes
Motor Type	AC
Blower Wheel	Centrifugal
Duct Diameter	4"
Humidity Sensor	*
LED Light Panel	*

*Available Smart Options



Model	Description	Packaging	Contractor Pack	Master Pack
C90	Bathroom Ventilation	Individual	-	Pack of 12
C90 MBG	90 CFM Motor/Blade/Grille	-	Pack of 4	-
CBE58 HSG	Housing for Model C90/CB50/CB80	-	Pack of 6	-
C90H	with Humidity Sensor	Individual	-	-
C90LED2	with LED Light Panel	Individual	-	-
C90HLED2	with Humidity Sensor and LED Light Panel	Individual	-	-