

C50 | BATH Ventilation



Ventilation Fan

Cyclone's HushTone bathroom ceiling fan will protect your home and helps keep it feeling fresh by efficiently ventilating all of the moisture and odour from your bathrooms. Our most economical model is an unparalleled value, perfect for small to mid-size bathrooms.

Features

- 50 CFM
- 3.5 sones
- Includes 3" duct connector
- Recommended for bathrooms up to 45 sqft (8' ceiling)

Housing

- Wiring from inside or outside housing with 8" leads
- 26 gauge galvanized steel housing (corrosion resistant)



Installation

- Can be mounted with flange
- 3" diameter duct connector supplied
- Premium grille is made of rugged polymeric resin for durability & comes with torsion spring clips for even mounting

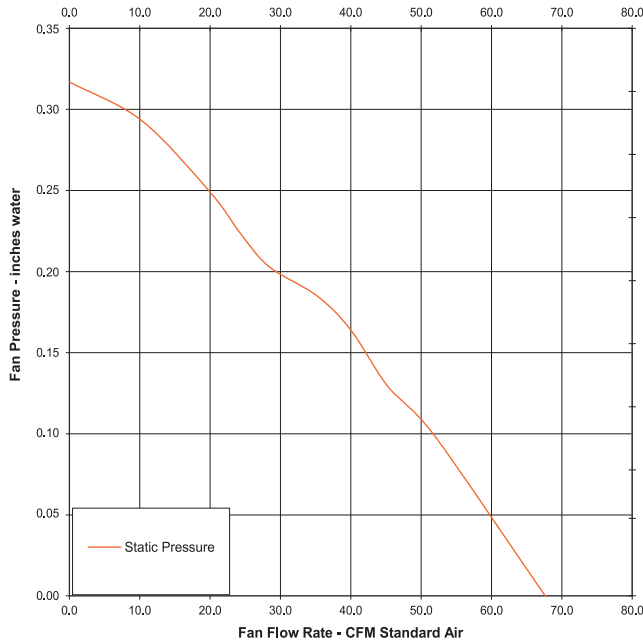


Cyclone Range Hoods Inc.

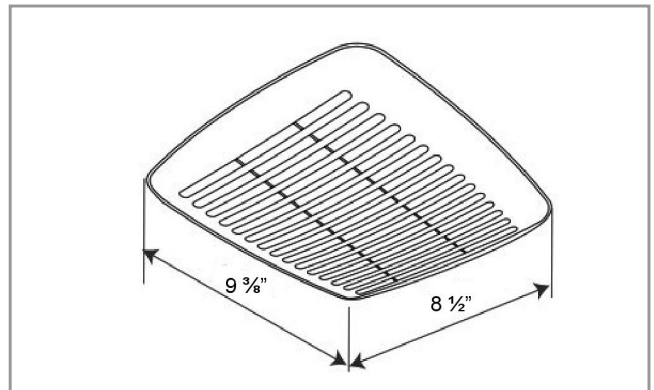
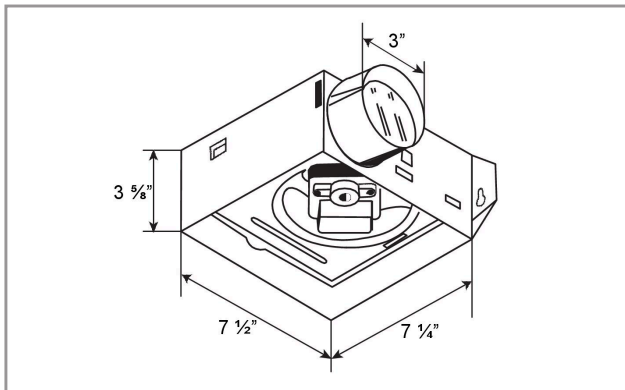
1361 Huntingwood Drive, Unit 16. Toronto, ON. M1S 3J1. Canada.

Toll Free: 1-888-293-5662 Tel: (416) 293-0933 Fax: (416) 293-4793 Website: www.CycloneRangeHoods.com

C50 | BATH Ventilation



| SPECIFICATIONS | C50 |
|------------------------------|-------------|
| Static Pressure | 0.1 |
| Noise Level (Sones) | 3.5 |
| Air Flow Volume (CFM) | 50 |
| Current (Amps) | 1.2 |
| Power Consumption (Watts) | 16 |
| Electrical Connection (V/Hz) | 120/60 |
| Thermal Fuse Protection | Yes |
| Motor Type | AC |
| Blower Wheel | Centrifugal |
| Duct Diameter | 3" |



| Model | Description | Packaging | Contractor Pack | Master Pack |
|---------|---------------------------|------------|-----------------|-------------|
| C50 | Bathroom Ventilation | Individual | - | Pack of 12 |
| C50 MBG | 50 CFM Motor/Blade/Grille | - | Pack of 6 | - |
| C50 HSG | C50 CFM Housing | - | Pack of 6 | - |