

BX600 | CLASSIC Collection



Insert

Introducing the BX600 insert. Quiet and discreet, yet impressively powerful at 600 CFM, it excels in high-heat cooking. Its stainless steel baffle filters are angled at 45 degrees for optimal ventilation and are dishwasher-safe. Control is effortless with three-speed buttons and two vivid LED lights.

Green Features



3 Speed Push Button Control Panel



Dishwasher Safe Baffle Filters



Long-lasting LED Light Bulbs



Grease Cup



Model	Colour	Ducting	Filters	Size	CFM	Fits Cabinet
BX60028	Stainless Steel	6"	Baffle	28"	600	30"
BX60034	Stainless Steel	6"	Baffle	34"	600	36"

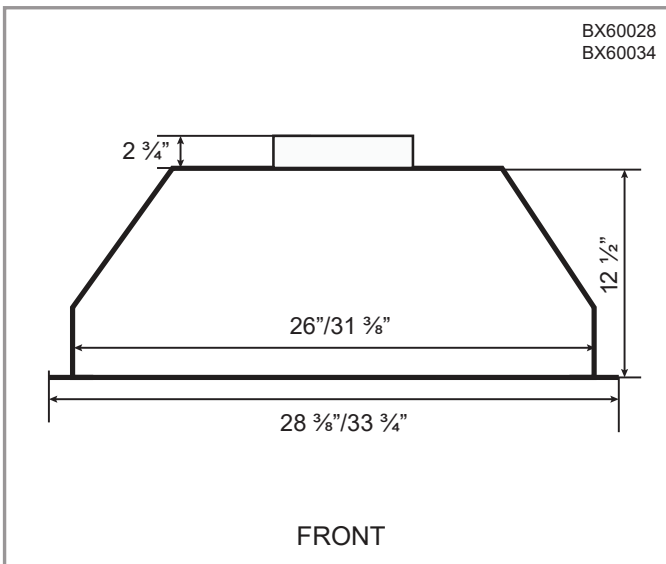
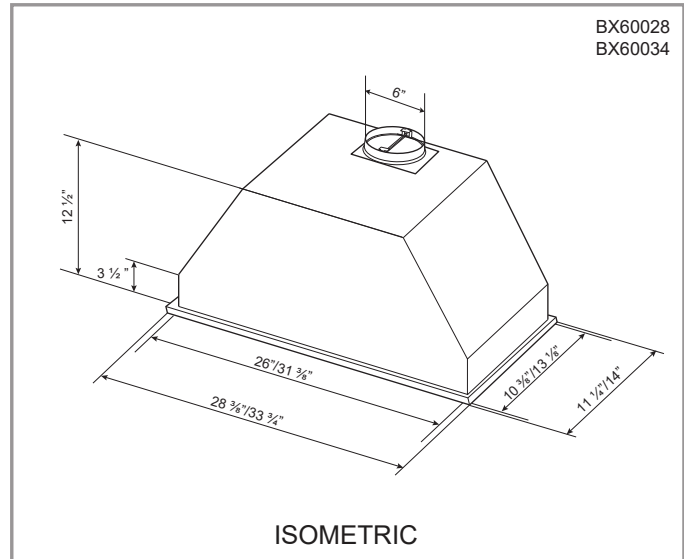
Cyclone Range Hoods Inc.

1361 Huntingwood Drive, Unit 16. Toronto, ON. M1S 3J1. Canada.

Toll Free: 1-888-293-5662 Tel: (416) 293-0933 Fax: (416) 293-4793 Website: www.CycloneRangeHoods.com

Features

- Insert range hood
- 6" round duct adapter
- Non-stick aluminum fan blades
- 3 speed push button control
- Quick release dishwasher-safe baffle filters
- 2 LED light bulbs (2 x 1.4W GU10, 3000K)
- 3 minutes time-delay OFF feature
- Plug-in connection



Options

- Widths: 28", 34"
- Charcoal Filter: CF01

Specifications

- | | | |
|--|--|--|
| <ul style="list-style-type: none"> ▪ Air Flow Volume: 600 CFM ▪ Electrical Connection: 120 V/60 Hz ▪ Power Consumption: 300 Watts | <ul style="list-style-type: none"> ▪ Current: 2.5 Amps ▪ Fan Speed: 1599 RPM ▪ Fan Type: Centrifugal Blower | <ul style="list-style-type: none"> ▪ Finishes: Stainless Steel ▪ Ducting: 6" Round ▪ Noise Level: Min. 2 Sones
Max. 6 Sones |
|--|--|--|

