

Installation Instructions

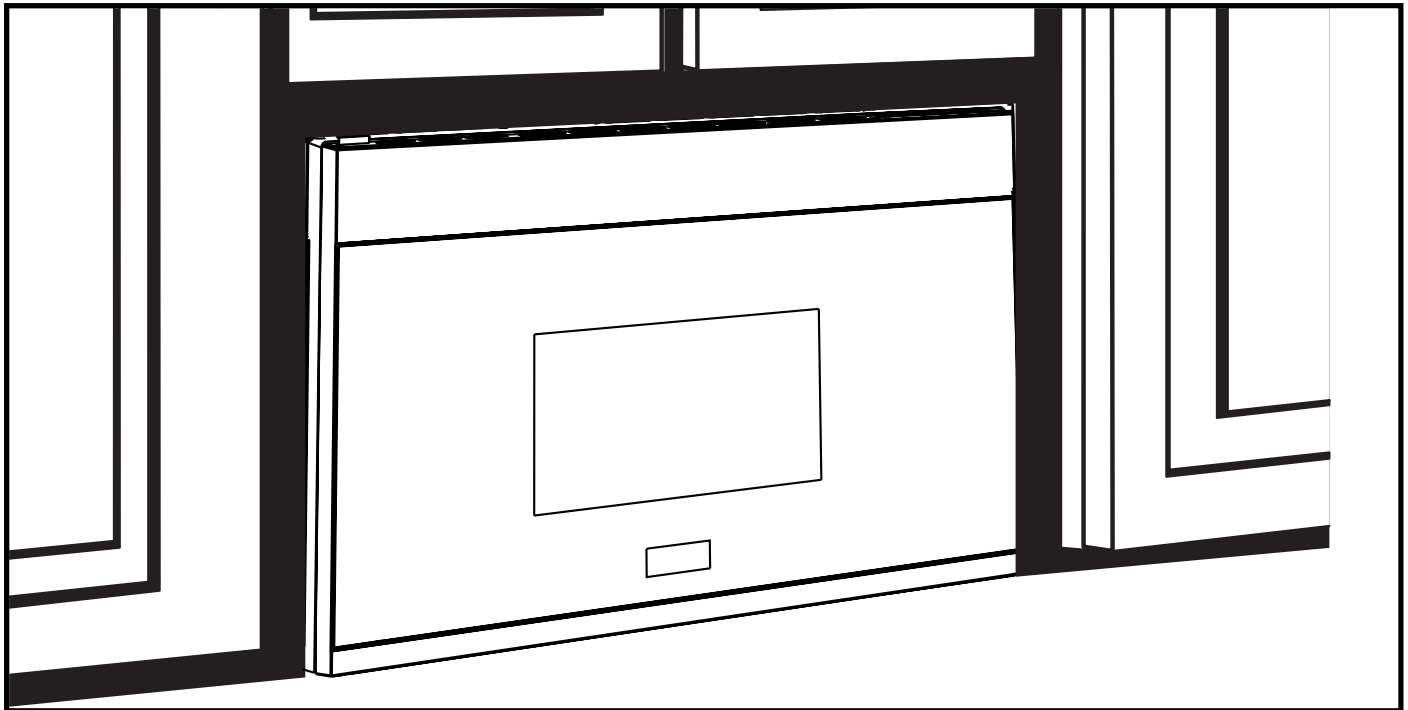
Over the Range Microwave Oven

Questions? Call 1-888-293-5662 or (416) 293-0933 Or email: www.CycloneRangeHoods.com

BEFORE YOU BEGIN

Read these instructions completely and carefully.

- **IMPORTANT** – Save these instructions for local inspector's use.
- **IMPORTANT** – Observe all governing codes and ordinances.
- **Note to Installer** – Be sure to leave these instructions with the Consumer.
- **Note to Consumer** – Keep these instructions for future reference.
- **Skill level** – Installation of this appliance requires basic mechanical and electrical skills.
- Proper installation is the responsibility of the installer.
- Product failure due to improper installation is not covered under the Warranty.



**READ CAREFULLY.
KEEP THESE INSTRUCTIONS.**

Installation Instructions

CONTENTS

General information

Important Safety Instructions	3
Electrical Requirements	3
Damage – Shipment/Installation	4
Parts Included	4
Tools You Will Need	5
Mounting Space	5

Step-by-step installation guide

Placement of The Mounting Plate	6–8
Removing the Mounting Plate	6
Finding the Wall Studs	6
Determining Wall Plate Location	7
Aligning the Wall Plate	8

Installation Types..... 9–23

EXHAUST DUCTING.....10–11

A Outside Top Exhaust	12–15
Attach Mounting Plate to Wall.....	12
Preparation of Top Cabinet.....	13
Adapting Microwave Blower for Outside top Exhaust	13–14
Checking for Proper Damper Operation.....	14
Mount the Microwave Oven	14–15
Adjust the Exhaust Adaptor	15
Connecting Ductwork.....	15
B Outside Back Exhaust	16–19
Preparing Rear Wall for Outside Back Exhaust.....	16
Remove Blower Plate	16
Attach Mounting Plate to Wall	17
Preparation of Top Cabinet	17

Adapting Microwave Blower
for Outside Back Exhaust.....17–18

Mount the Microwave Oven

C Recirculating

Attach Mounting Plate to Wall

Preparation of Top Cabinet

Check Blower Plate

Mount the Microwave Oven

Installing or Change the
Charcoal Filter

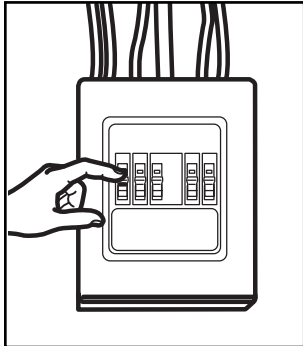
Before You Use Your Microwave

Template Information.....

Installation Instructions

IMPORTANT SAFETY INSTRUCTIONS

This product requires a three-prong grounded outlet. The installer must perform a ground continuity check on the power outlet box before beginning the installation to ensure that the outlet box is properly grounded. If not properly grounded, or if the outlet box does not meet electrical requirements noted (under ELECTRICAL REQUIREMENTS), a qualified electrician should be employed to correct any deficiencies.



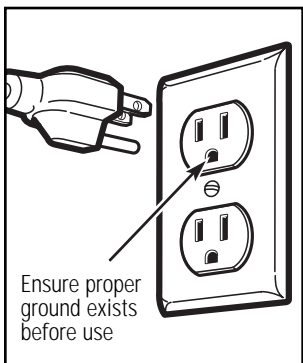
CAUTION: For personal safety, remove house fuse or open circuit breaker before beginning installation to avoid severe or fatal shock injury.

CAUTION: For personal safety, the mounting surface must be capable of supporting the cabinet load, in addition to the added weight of this 63–85 pound (28.5–38.5 kg) product, plus additional oven loads of up to 50 pounds (22.7 kg) or a total weight of 113–135 pounds (51.3–61.2 kg).

CAUTION: For personal safety, this product cannot be installed in cabinet arrangements such as an island or a peninsula. It must be mounted to BOTH a top cabinet AND a wall.

NOTE: For easier installation and personal safety, it is recommended that two people install this product.

IMPORTANT – PLEASE READ CAREFULLY. FOR PERSONAL SAFETY, THIS APPLIANCE MUST BE PROPERLY GROUNDED TO AVOID SEVERE OR FATAL SHOCK.



The power cord of this appliance is equipped with a three-prong (grounding) plug which mates with a standard three-prong (grounding) wall receptacle to minimize the possibility of electric shock hazard from this appliance.

You should have the wall receptacle and circuit checked by a qualified electrician to make sure the receptacle is properly grounded.

Where a standard two-prong wall receptacle is encountered, it is very important to have it replaced with a properly grounded three-prong wall receptacle, installed by a qualified electrician.

DO NOT, UNDER ANY CIRCUMSTANCES, CUT, DEFORM OR REMOVE ANY OF THE PRONGS FROM THE POWER CORD. DO NOT USE WITH AN EXTENSION CORD.

ELECTRICAL REQUIREMENTS

Product rating is 120 volts AC, 60 Hertz, 15 amps and 1.6 kilowatts. This product must be connected to a separate and dedicated supply circuit of the proper voltage and frequency. Wire size must conform to the requirements of the National Electrical Code or the prevailing local code for this kilowatt rating. The power supply cord and plug should be brought to a separate and dedicated 15- to 20- ampere branch circuit single grounded outlet. The outlet box should be located in the cabinet above the microwave oven. The outlet box and supply circuit should be installed by a qualified electrician and conform to the National Electrical Code or the prevailing local code.


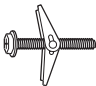


Installation Instructions

DAMAGE—SHIPMENT/ INSTALLATION

- If the unit is damaged in shipment, return the unit to the store in which it was bought for repair or replacement.
- If the unit is damaged by the customer, repair or replacement is the responsibility of the customer.
- If the unit is damaged by the installer (if other than the customer), repair or replacement must be made by arrangement between customer and installer.

PARTS INCLUDED


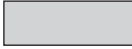
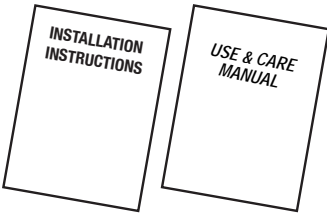
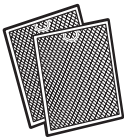
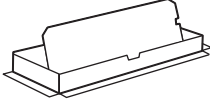


HARDWARE PACKET

PART		QUANTITY
	Wood Screws (1/4" x 2")	2
	Toggle Bolts (and wing nuts) (3/16" x 3")	2
	Self-Aligning Machine Screws (1/4"-28 x 3 1/4")	3
	Nylon Grommet (for metal cabinets)	1

You will find the installation hardware contained in a packet with the unit. Check to make sure you have all these parts.

NOTE: Some extra parts are included.

PARTS INCLUDED (CONT.) ADDITIONAL PARTS

PART		QUANTITY
	Top Cabinet Template	1
	Rear Wall Template	1
	Installation Instructions	1
	Use & Care Manual	1
	Separately Packed Grease Filters	2
	Exhaust adaptor	1
	Glass Tray	1
	Turntable Ring	1

Installation Instructions

TOOLS YOU WILL NEED



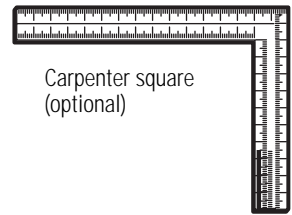
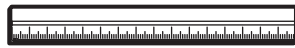
1 Phillips screwdriver



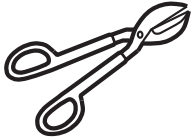
Pencil



Ruler or tape measure and straight edge



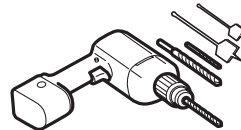
Carpenter square (optional)



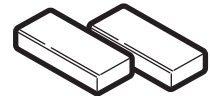
Tin snips (for cutting damper, if required)



Scissors (to cut template, if necessary)



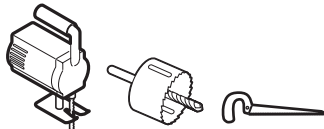
Electric drill with $\frac{3}{16}$ " , $\frac{1}{2}$ " and $\frac{5}{8}$ " drill bits



Filler blocks or scrap wood pieces, if needed for top cabinet spacing (used on recessed bottom cabinet installations only)



Gloves



Saw (saber, hole or keyhole)



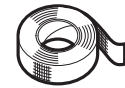
Stud finder **or** Hammer (optional)



Safety goggles

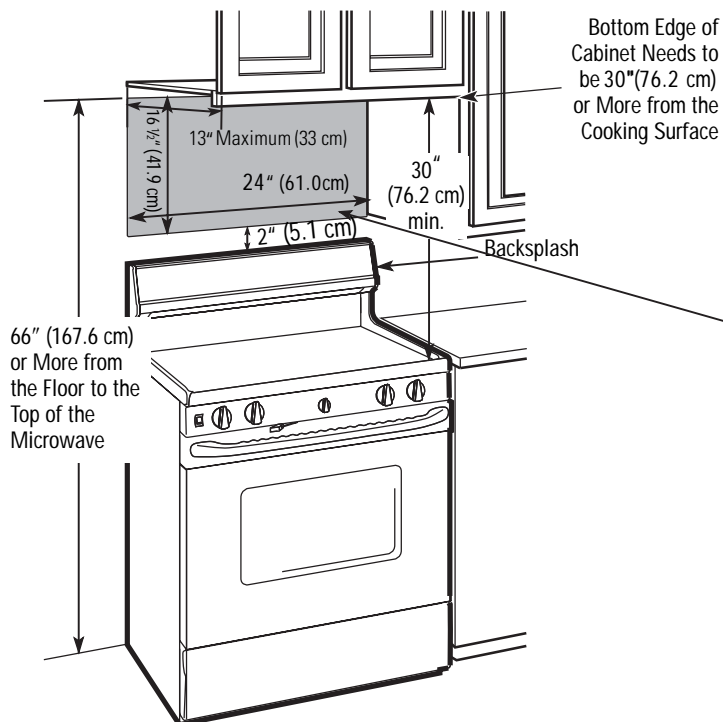


Level



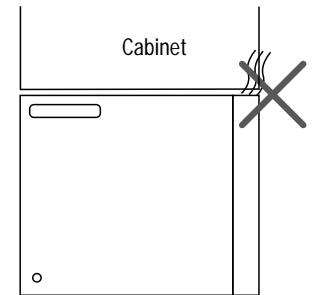
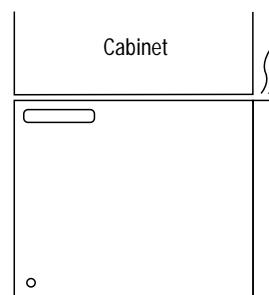
Duct and masking tape

MOUNTING SPACE



NOTES:

- The space between the cabinets must be 24" (61.0cm) wide and free of obstructions.
- If you are going to vent your microwave oven to the outside, see Hood Exhaust Section for exhaust duct preparation.
- When installing the microwave oven beneath smooth, flat cabinets, be careful to follow the instructions on the top cabinet template for power cord clearance.
- As a guide to installation, see page 24 for Mounting Template Information.
- If the cabinet depth including the cabinet doors is more than 13" then the unit must be spaced out from wall using adequate materials supporting 150 lbs to allow proper top vent air exhaust/intake.

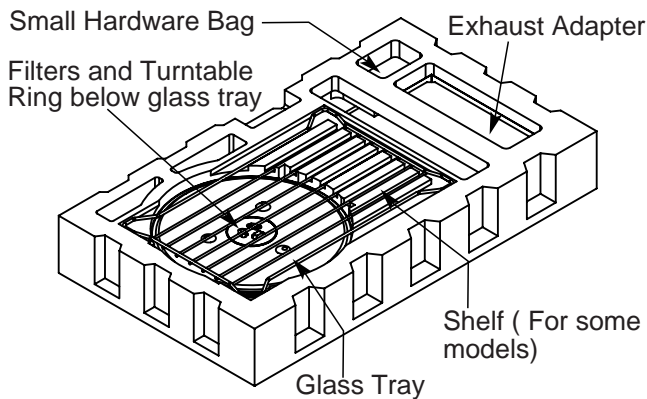


Installation Instructions

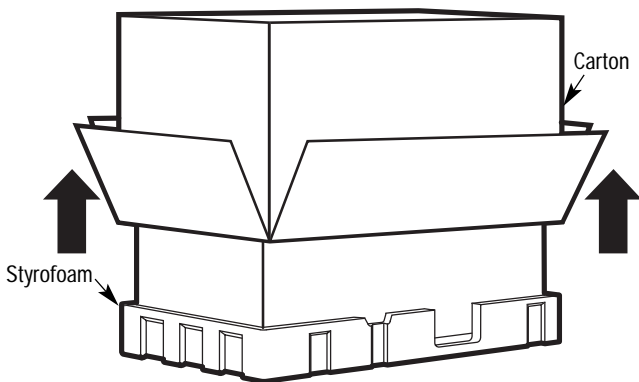
1 PLACEMENT OF THE MOUNTING PLATE

A. REMOVING THE MICROWAVE OVEN FROM THE CARTON/ REMOVING THE MOUNTING PLATE

- 1 Remove the installation instructions, use and care, exhaust adapter, turntable ring, shelf, filters, glass tray and the small hardware bag. Do not remove the Styrofoam protecting the front of the oven.

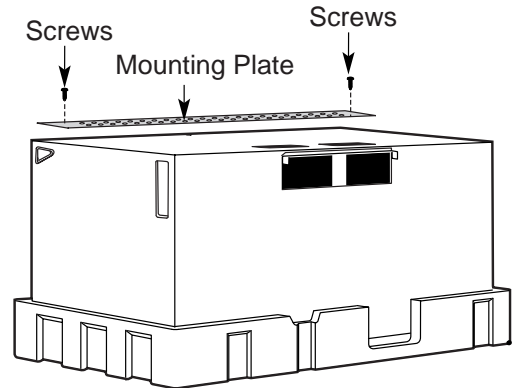


- 2 Fold back all 4 carton flaps fully against carton sides. Then carefully roll the oven and carton over onto the top side. The oven should be resting in the Styrofoam.



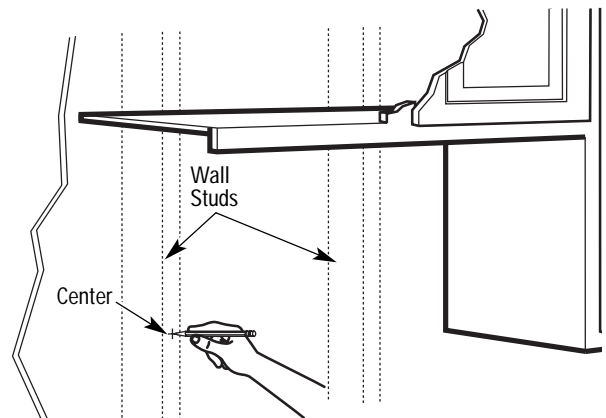
- 3 Pull the carton up and off the oven.

- 4 Cut the middle of the outer protective plastic bag to remove the mounting plate



- 5 Remove the screws from each end of the mounting plate. This plate will be used as the rear wall template and for mounting. Reinstall the screws into the holes where they were removed.

B. FINDING THE WALL STUDS



- 1 Find the studs, using one of the following methods:

- A. Stud finder – a magnetic device which locates nails.
- B. Use a hammer to tap lightly across the mounting surface to find a solid sound. This will indicate a stud location.

- 2 After locating the stud(s), find the center by probing the wall with a small nail to find the edges of the stud. Then place a mark halfway between the edges. The center of any adjacent studs should be 16" (40.6 cm) or 24" (61 cm) from this mark.

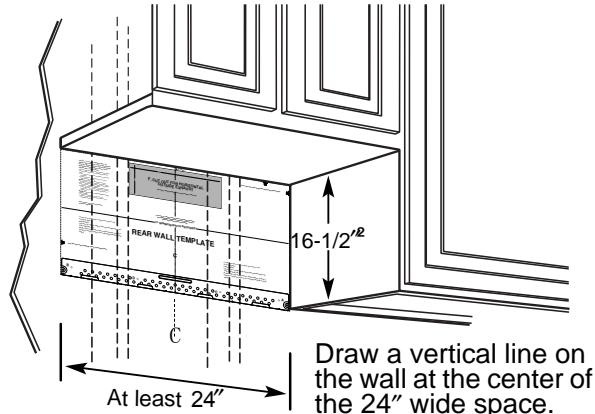
- 3 Draw a line down the center of the studs.

THE MICROWAVE MUST BE CONNECTED TO AT LEAST ONE WALL STUD.

Installation Instructions

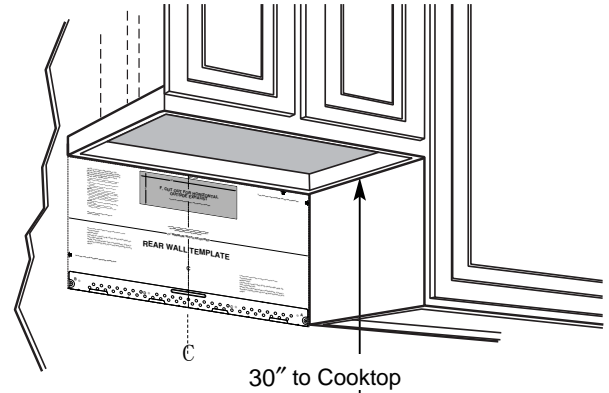
C. DETERMINING WALL PLATE LOCATION UNDER YOUR CABINET

Plate position-beneath flat bottom cabinet



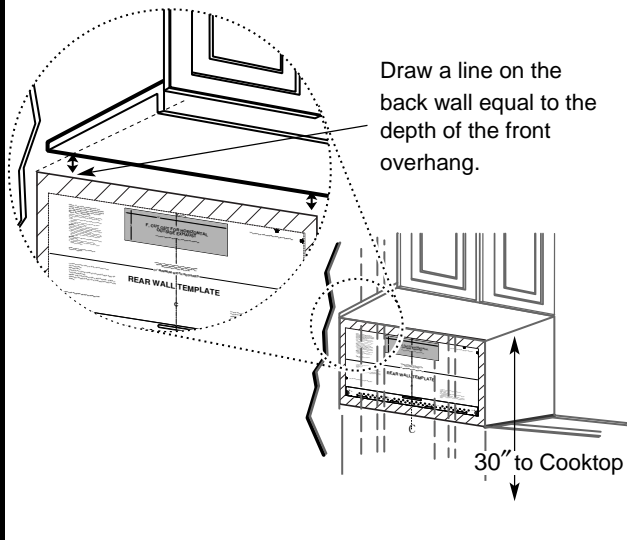
Draw a vertical line on the wall at the center of the 24" wide space.
Tape the Rear Wall Template onto the wall matching the centerline and touching the bottom of the cabinet.

Plate position-beneath framed recessed cabinet bottom



Draw a vertical line on the wall at the center of the 24" space.
Tape the Rear Wall Template onto the wall matching the centerline and touching the bottom cabinet frame.

Plate position-beneath recessed bottom cabinet with front overhang



Draw a line on the back wall equal to the depth of the front overhang.

Your cabinets may have decorative trim that interferes with the microwave installation. Remove the decorative trim to install the microwave properly and to make it level.

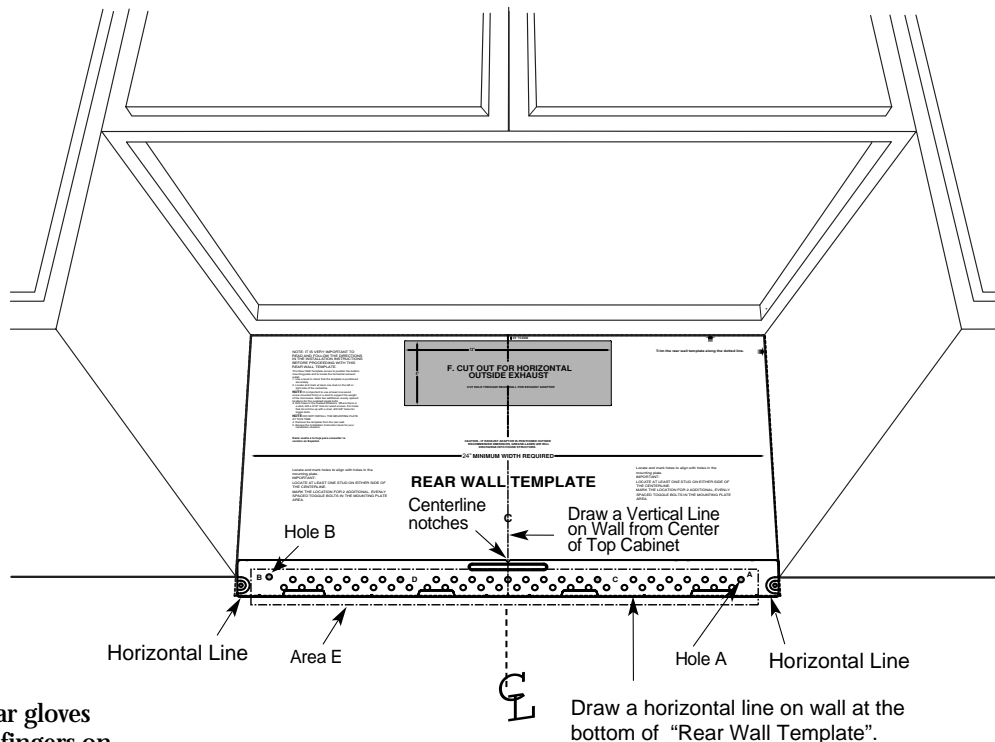
THE MICROWAVE MUST BE LEVEL.

Use a level to make sure the cabinet bottom is level. If the cabinets have a front overhang only, with no back or side frame, install the mounting plate down the same distance as the front overhang depth. This will keep the microwave level.

- 1 Measure the inside depth of the front overhang.
- 2 Draw a horizontal line on the back wall an equal distance below the cabinet bottom as the inside depth of the front overhang.
- 3 For this type of installation with front overhang only, align the mounting tabs with this horizontal line, not touching the cabinet bottom as described in Step D.

Installation Instructions

D. ALIGNING THE WALL PLATE



CAUTION: Wear gloves to avoid cutting fingers on sharp edges.

- 1 Draw a vertical line on the wall at the center of the 24" wide space.
- 2 Draw a horizontal line on the wall at the bottom of "Rear Wall Template".
- 3 Find a wall stud in area "E" of mounting plate. Refer to section 1B. Finding the wall studs.
- 4 For attaching the mounting plate into stud drill a 3/16" hole into wood stud. Drill a 5/8" hole for toggle bolt in 1 other location (Hole A or Hole B)

NOTE: DO NOT MOUNT THE PLATE AT THIS TIME.

NOTE: Holes A and B are inside area E. If neither of Holes A and B are not in a stud, find a stud somewhere in area E and draw a circle to line up with the stud. It is important to have **at least one wood screw** mounted **firmly in a stud** to support the weight of the microwave. **Set the mounting plate aside.**

Installation Instructions

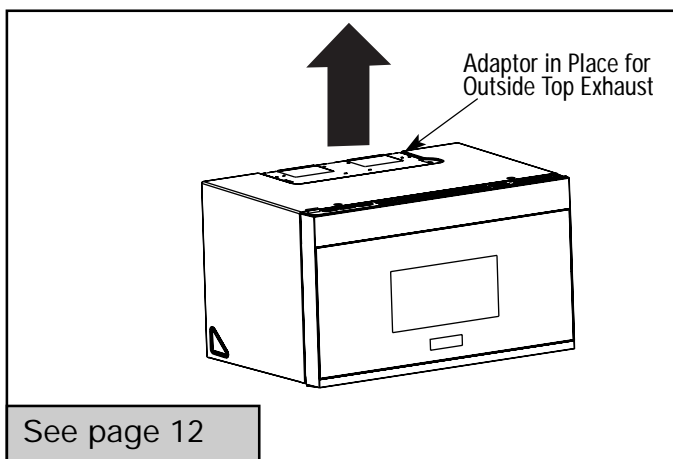
2 INSTALLATION TYPES (Choose A, B or C)

This microwave oven is designed for adaptation to the following three types of ventilation:

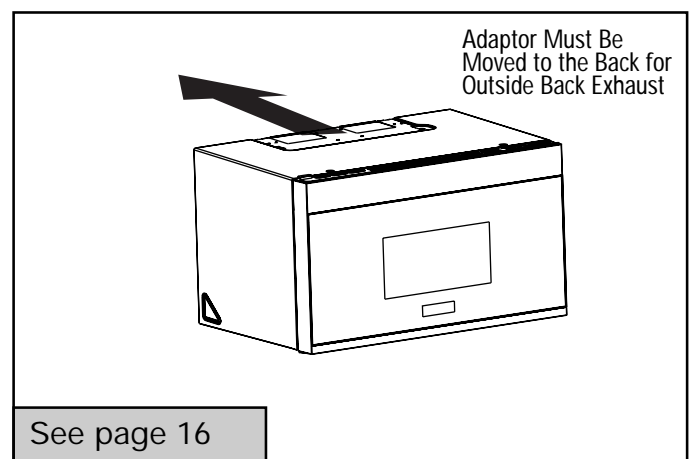
- A. Outside Top Exhaust (Vertical Duct)
- B. Outside Back Exhaust (Horizontal Duct)
- C. Recirculating (Non-Vented Ductless)

NOTE: This microwave is shipped assembled for Recirculating. Select the type of ventilation required for your installation and proceed to that section.

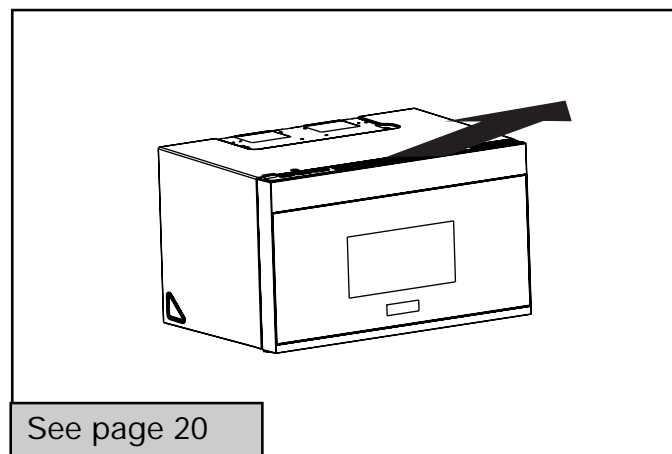
A OUTSIDE TOP EXHAUST (VERTICAL DUCT)



B OUTSIDE BACK EXHAUST (HORIZONTAL DUCT)



C RECIRCULATING (NON-VENTED DUCTLESS)



Models are shipped for recirculating exhaust. Some models have a disposable charcoal filter installed to help remove smoke and odors.

NOTE: Read the next two pages only if you plan to vent your exhaust to the outside. If you plan to recirculate the air back into the room, proceed to page 20.

Installation Instructions

INSTALLATION INSTRUCTIONS FOR EXTERNAL EXHAUST DUCTING

NOTE: If you need to install ducts, note that the total duct length of 3¼" x 10" (8.2 x 25.4 cm) rectangular or 5" (12.7 cm) diameter/ 6" (15.2 cm) diameter round duct **should not exceed 120 equivalent feet (36.5 m).**

Outside ventilation requires an EXTERNAL EXHAUST DUCT. Read the following carefully.

NOTE: It is important that venting be installed using the most direct route and with as few elbows as possible. This ensures clear venting of exhaust and helps prevent blockages. **Also, make sure dampers swing freely and nothing is blocking the ducts.**

Exhaust connection:


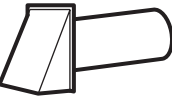


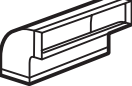
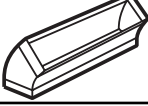


The exhaust adaptor has been designed to mate with a standard 3¼" x 10" (8.2 x 25.4 cm) rectangular duct.

If a round duct is required, a rectangular-to-round transition adaptor must be used. **A 5" (12.7cm) / 6" (15.2cm) diameter duct is acceptable to use.**

Maximum duct length:

For satisfactory air movement, the total duct length of 3¼" x 10" (8.2 x 25.4 cm) rectangular or 5" (12.7 cm) diameter/ 6" (15.2 cm) diameter round duct **should not exceed 120 equivalent feet (36.5 m).**

Elbows, transitions, wall and roof caps, etc., present additional resistance to airflow and are equivalent to a section of straight duct which is longer than their actual physical size. When calculating the total duct length, add the equivalent lengths of all transitions and adaptors plus the length of all straight duct sections. The chart below shows you how to calculate total equivalent ductwork length using the approximate feet of equivalent length of some typical ducts.

DUCT PIECES		EQUIVALENT LENGTH	x	NUMBER USED	=	EQUIVALENT LENGTH
	Rectangular-to-Round Transition Adaptor*	5 Ft. (1.5 m)	x	()	=	Ft. or m
	Wall Cap	40 Ft. (12.2 m)	x	()	=	Ft. or m
	90° Elbow	10 Ft. (3 m)	x	()	=	Ft. or m
	45° Elbow	5 Ft. (1.5 m)	x	()	=	Ft. or m
	90° Elbow	25 Ft. (7.6 m)	x	()	=	Ft. or m
	45° Elbow	5 Ft. (1.5 m)	x	()	=	Ft. or m
	Roof Cap	24 Ft. (7.3 m)	x	()	=	Ft. or m
	Straight Duct 6" (15.2 cm) Round or 3¼" x 10" (8.2 x 25.4 cm Rectangular)	1 Ft. (0.3 m)	x	()	=	Ft. or m
Total Ductwork					=	Ft. or m



*** IMPORTANT:** If a rectangular-to-round transition adaptor is used, the bottom corners of the damper will have to be cut to fit, using the tin snips, in order to allow free movement of the damper.

Equivalent lengths of duct pieces are based on actual tests and reflect requirements for good venting performance with any vent hood.

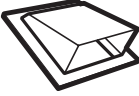


Installation Instructions

EXTERNAL EXHAUST DUCTING

OUTSIDE TOP EXHAUST (EXAMPLE ONLY)

The following chart describes an example of one possible ductwork installation.



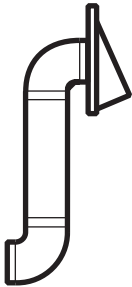
DUCT PIECES		EQUIVALENT LENGTH	x	NUMBER USED	=	EQUIVALENT LENGTH
	Roof Cap	24 Ft. (7.3 m)	x	(1)	=	24 Ft. (7.3 m)
	12 Ft. (3.6 m) Straight Duct (6"/15.2 cm Round)	12 Ft. (3.6 m)	x	(1)	=	12 Ft. (3.6 m)
	Rectangular-to-Round Transition Adaptor*	5 Ft. (1.5 m)	x	(1)	=	5 Ft. (1.5 m)
Total Length =						41 Ft. (12.5 m)




Equivalent lengths of duct pieces are based on actual tests and reflect requirements for good venting performance with any vent hood.

*** IMPORTANT:** If a rectangular-to-round transition adaptor is used, the bottom corners of the damper will have to be cut to fit, using the tin snips, in order to allow free movement of the damper.

OUTSIDE BACK EXHAUST (EXAMPLE ONLY)

The following chart describes an example of one possible ductwork installation.



DUCT PIECES		EQUIVALENT LENGTH*	x	NUMBER USED	=	EQUIVALENT LENGTH
	Wall Cap	40 Ft. (12.2 m)	x	(1)	=	40 Ft. (12.2 m)
	3 Ft. Straight Duct (3 1/4" x 10"/8.2 x 25.4 cm Rectangular)	3 Ft. (0.9 m)	x	(1)	=	3 Ft. (0.9 m)
	90° Elbow	10 Ft. (3 m)	x	(2)	=	20 Ft. (3 m)
Total Length =						63 Ft. (19.2 m)

Equivalent lengths of duct pieces are based on actual tests and reflect requirements for good venting performance with any vent hood.

NOTE: For back exhaust, care should be taken to align exhaust with space between studs, or wall should be prepared at the time it is constructed by leaving enough space between the wall studs to accommodate exhaust.

Installation Instructions

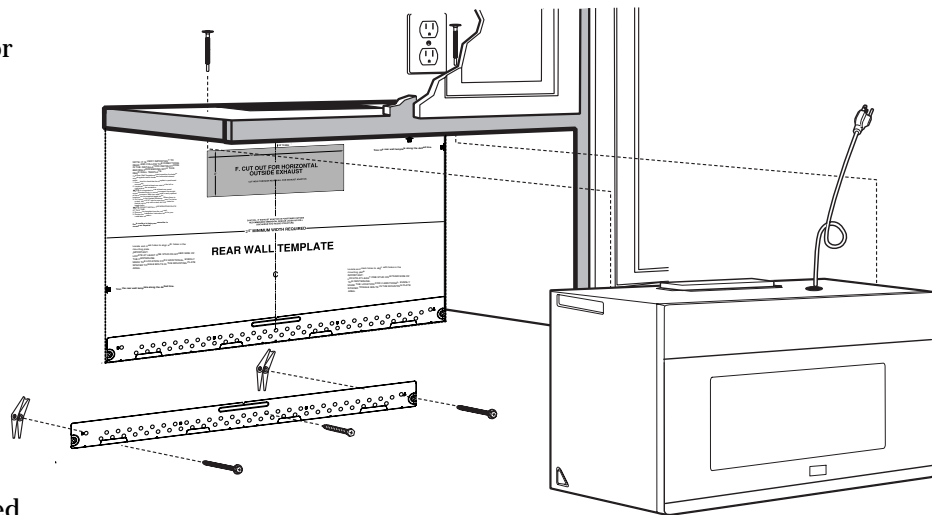
A OUTSIDE TOP EXHAUST (Vertical Duct)

INSTALLATION OVERVIEW

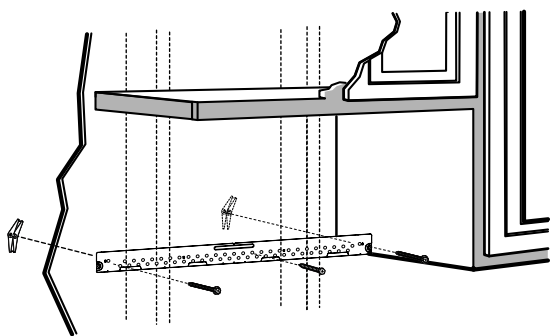
- A1. Attach Mounting Plate to Wall
- A2. Prepare Top Cabinet
- A3. Adapting Microwave Blower for Outside Top Exhaust
- A4. Check Damper Operation
- A5. Mount Microwave Oven
- A6. Adjust Exhaust Adaptor
- A7. Connect Ductwork

IMPORTANT NOTES:

- Make sure the screws for the blower motor and blower plate are securely tightened when they are reinstalled. This will help to prevent excessive vibration.
- Make sure the motor wiring has been properly routed and secured, and that the wires are not pinched.



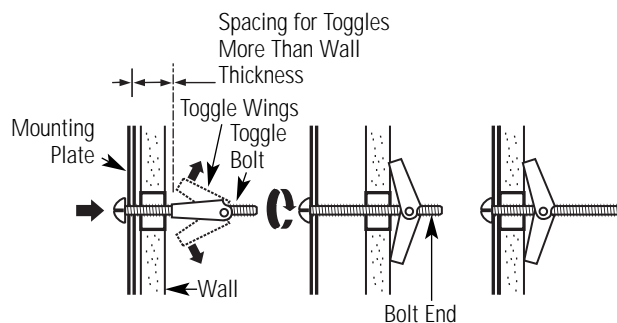
A1. ATTACH THE MOUNTING PLATE TO THE WALL



Attach the plate to the wall using toggle bolts. At least one wood screw must be used to attach the plate to a wall stud.

- 1 Remove the toggle wings from the bolts.
- 2 Insert the bolts into the mounting plate through the holes designated to go into drywall and reattach the toggle wings to $\frac{3}{4}$ " (19 mm) onto each bolt.

To use toggle bolts:



- 3 Place the mounting plate against the wall and insert the toggle wings into the holes in the wall to mount the plate.

NOTE: Before tightening toggle bolts and wood screw, make sure the bottom of the mounting plate touch the bottom of the cabinet when pushed flush against the wall and that the plate is properly centered under the cabinet.

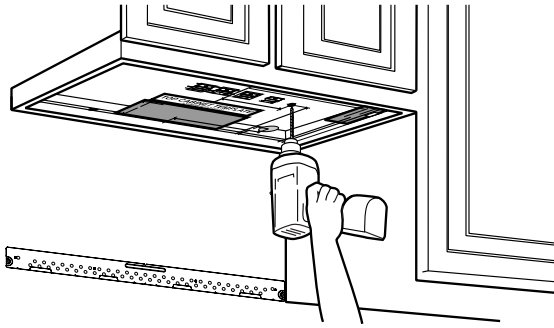
CAUTION: Be careful to avoid pinching fingers between the back of the mounting plate and the wall.

- 4 Tighten all bolts. Pull the plate away from the wall to help tighten the bolts.

Installation Instructions

A2. USE TOP CABINET TEMPLATE FOR PREPARATION OF TOP CABINET

You need to drill holes for the top support screws, a hole large enough for the power cord to fit through, and a cutout large enough for the exhaust adaptor.

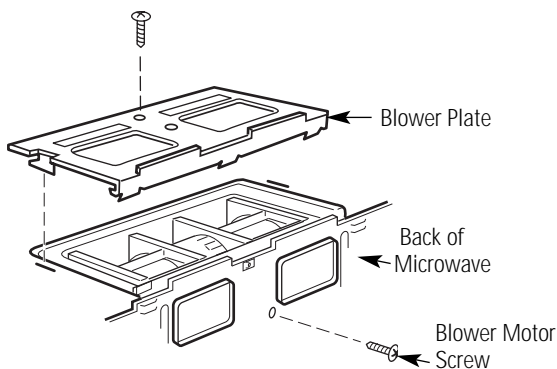


- Read the instructions on the TOP CABINET TEMPLATE.
- Tape it underneath the top cabinet.
- Drill the holes, following the instructions on the TOP CABINET TEMPLATE.

CAUTION: Wear safety goggles when drilling holes in the cabinet bottom.

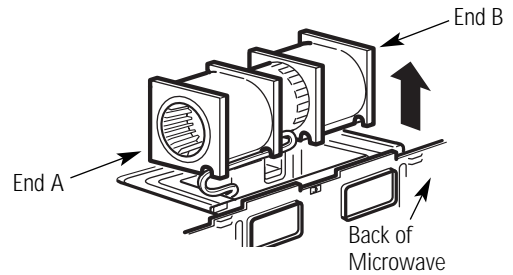
A3. ADAPTING MICROWAVE BLOWER FOR OUTSIDE TOP EXHAUST

- 1 Place the microwave in its upright position, with the top of the unit facing up.



Remove the screw that holds the blower plate to the microwave. Remove and save the screw holding the blower motor to the microwave.

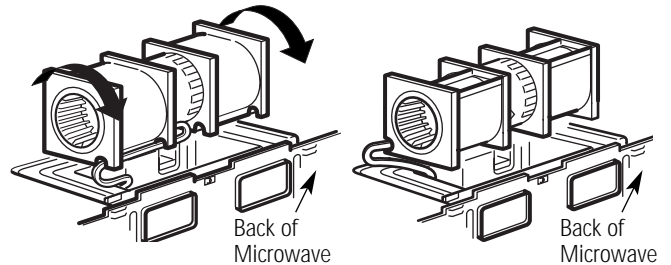
- 2 Carefully pull out the blower unit. The wires will extend far enough to allow you to adjust the blower unit.



- 3 Roll the blower unit 90° so that fan blade openings are facing out the top of the microwave.

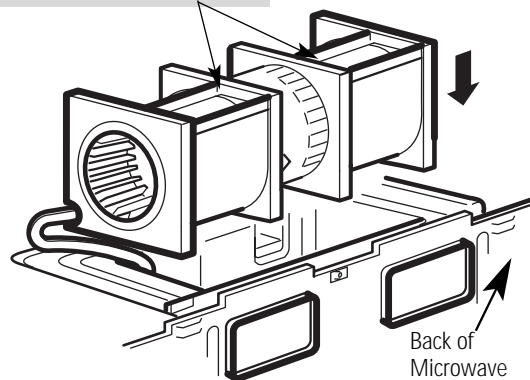
Before Rotation

After Rotation



- 4 Place the blower unit back into the opening.

AFTER: Fan Blade Openings Facing Top

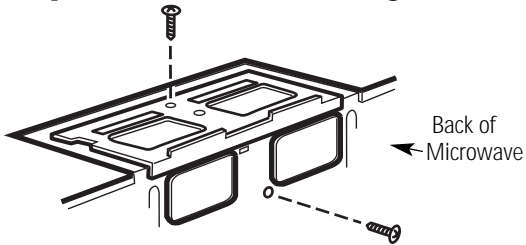


CAUTION: Do not pull or stretch the blower unit wiring. Make sure the wires are not pinched, and that they are properly secured.

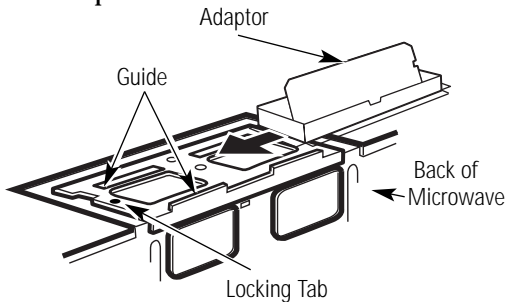
Installation Instructions

A3. ADAPTING MICROWAVE BLOWER FOR OUTSIDE TOP EXHAUST

- Secure blower unit to microwave with the screw removed in Step 1. Make sure the screw is tight.
- Replace blower plate with the screw removed in Step 1. Make sure the screw is tight.

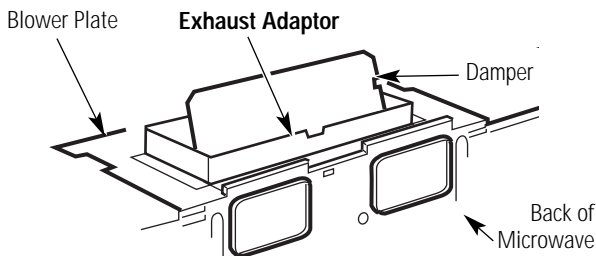


- Attach the exhaust adaptor to the top of the blower plate by sliding it into the guides of the blower plate.



Push in securely until it is in the locking tabs. Take care to assure that the damper hinge is installed so that the damper swings freely.

A4. CHECK FOR PROPER DAMPER OPERATION



- Make sure tape securing damper is removed and damper pivots easily before mounting microwave.
- You will need to make adjustments to assure proper alignment with your house exhaust duct after the microwave is installed.

A5. MOUNT THE MICROWAVE OVEN



FOR EASIER INSTALLATION AND PERSONAL SAFETY, WE RECOMMEND THAT **TWO PEOPLE** INSTALL THIS MICROWAVE OVEN.

IMPORTANT: Do not grip or use the handle or heat shield during installation. Do not remove the cardboard spacers between the heat shield and door.

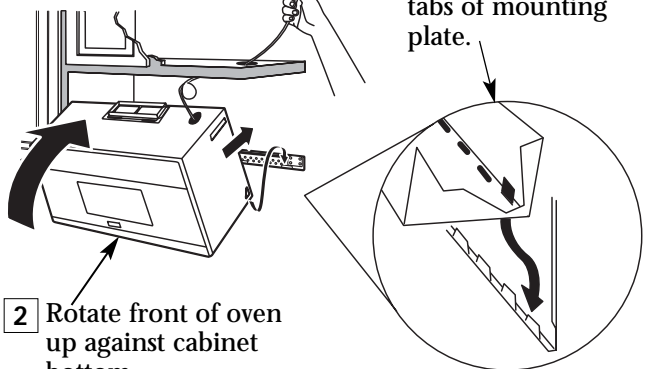
NOTE: If your cabinet is metal, use the nylon grommet around the power cord hole to prevent cutting of the cord.

NOTE: We recommend using filler blocks if the cabinet front hangs below the cabinet bottom shelf.

IMPORTANT: If filler blocks are not used, case damage may occur from overtightening screws.

NOTE: When mounting the microwave oven, thread power cord through hole in bottom of top cabinet. Keep it tight throughout Steps 1-3. Do not pinch cord or lift oven by pulling cord.

- Lift microwave, tilt it forward, and hook slots at back bottom edge onto four lower tabs of mounting plate.

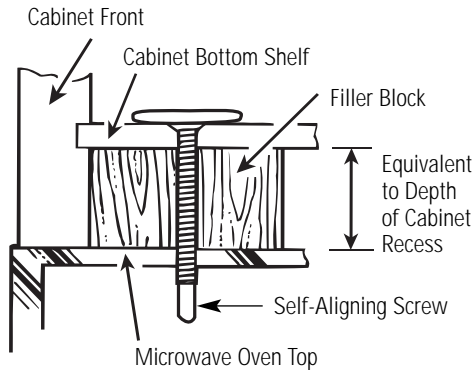


- Rotate front of oven up against cabinet bottom.

- Insert a self-aligning screw through top center cabinet hole. Temporarily secure the oven by turning the screw at least **two full turns** after the threads have engaged. (It will be completely tightened later.) **Be sure to keep power cord tight. Be careful not to pinch the cord, especially when mounting flush to bottom of cabinet.**

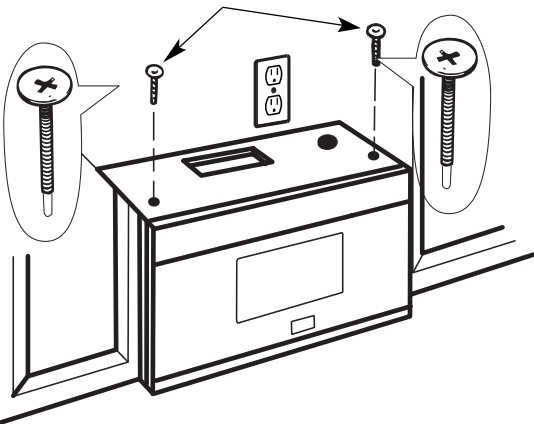
Installation Instructions

A5. MOUNT THE MICROWAVE OVEN (cont.)

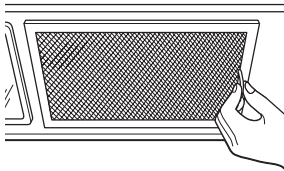


4 Attach the microwave oven to the top cabinet.

5 Insert 2 self-aligning screws through outer top cabinet holes. Turn two full turns on each screw.



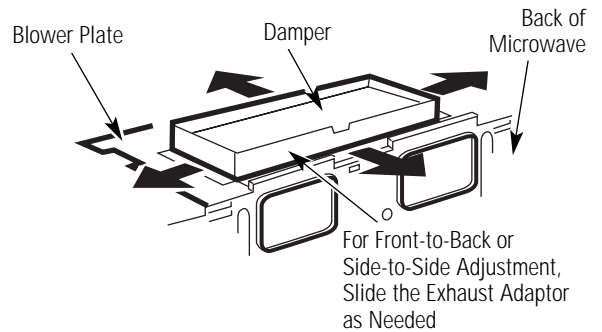
6 Tighten the outer two screws to the top of the microwave oven. (While tightening screws, hold the microwave oven in place against the wall and the top cabinet.)



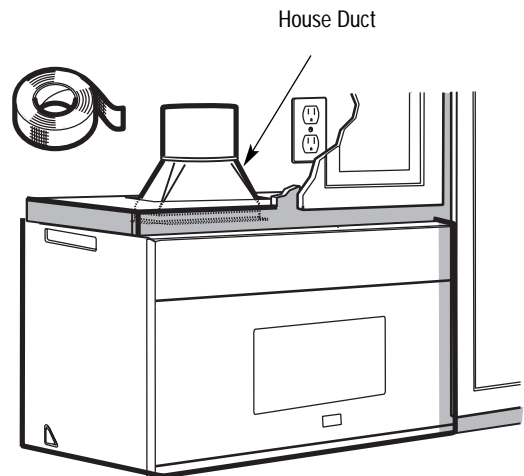
7 Install grease filters. See the Use and Care packed with the microwave.

A6. ADJUST THE EXHAUST ADAPTOR

Open the top cabinet and adjust the exhaust adaptor to connect to the house duct.



A7. CONNECTING DUCTWORK



- 1** Extend the house duct down to connect to the exhaust adaptor.
- 2** Seal exhaust duct joints using furnace duct tape for high temperature applications.

Installation Instructions

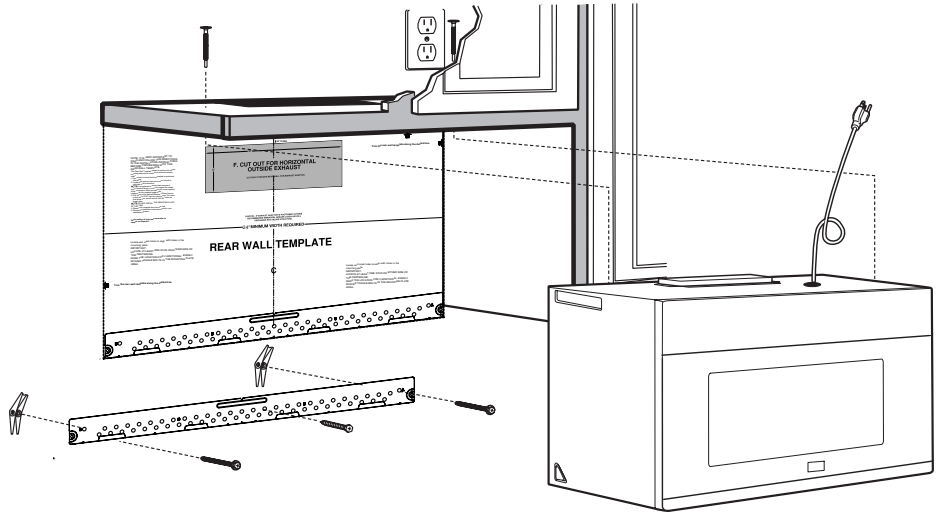
B OUTSIDE BACK EXHAUST (Horizontal Duct)

INSTALLATION OVERVIEW

- B1.** Prepare Rear Wall
- B2.** Remove Blower Plate
- B3.** Attach Mounting Plate to Wall
- B4.** Prepare Top Cabinet
- B5.** Adjust Blower
- B6.** Mount the Microwave Oven

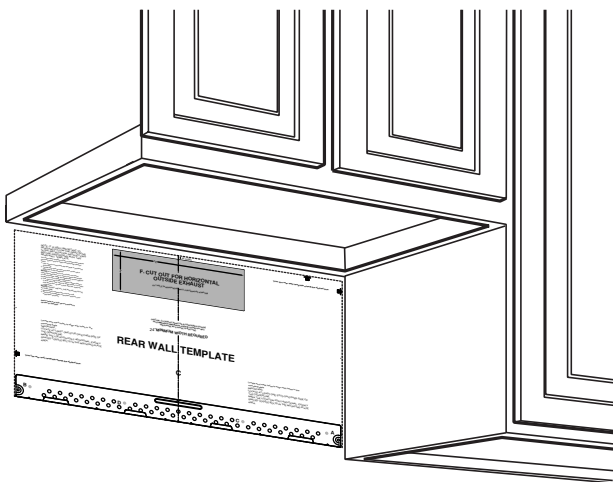
IMPORTANT NOTES:

- Make sure the screws for the blower motor and blower plate are securely tightened when they are reinstalled. This will help to prevent excessive vibration.
- Make sure the motor wiring has been properly routed and secured, and that the wires are not pinched.



B1. PREPARING THE REAR WALL FOR OUTSIDE BACK EXHAUST

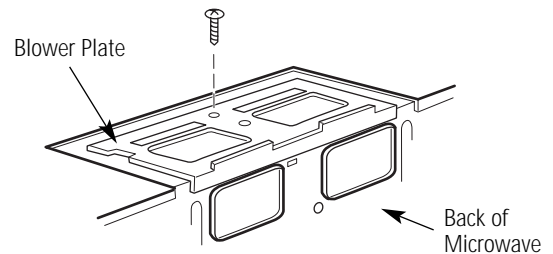
You need to cut an opening in the rear wall for outside exhaust.



- Read the instructions on the REAR WALL TEMPLATE.
- Tape it to the rear wall.
- Cut the opening, following the instructions of the REAR WALL TEMPLATE.

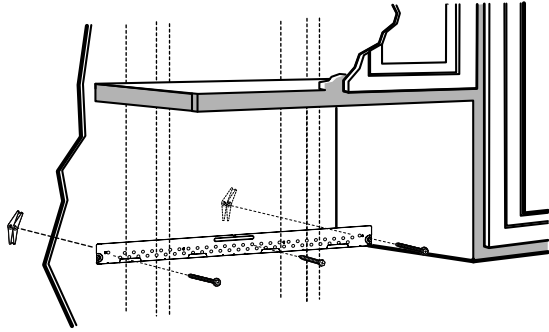
B2. REMOVE BLOWER PLATE

Remove and save the screw that holds the blower plate to the microwave. Lift off the blower plate.



Installation Instructions

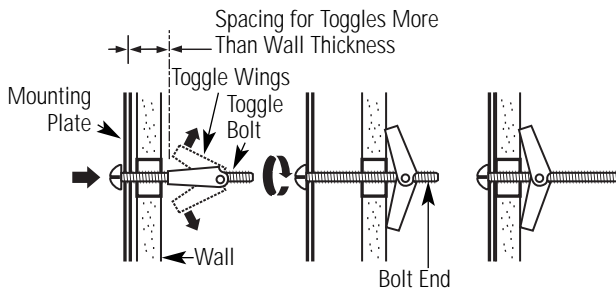
B3. ATTACH THE MOUNTING PLATE TO THE WALL



Attach the plate to the wall using toggle bolts. At least one wood screw must be used to attach the plate to a wall stud.

- 1 Remove the toggle wings from the bolts.
- 2 Insert the bolts into the mounting plate through the holes designated to go into drywall and reattach the toggle wings to $\frac{3}{4}$ " (19 mm) onto each bolt.

To use toggle bolts:



- 3 Place the mounting plate against the wall and insert the toggle wings into the holes in the wall to mount the plate.

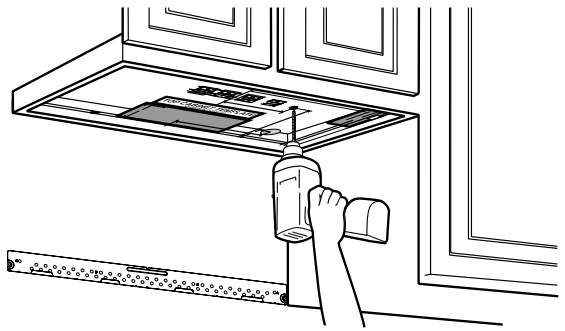
NOTE: Before tightening toggle bolts and wood screw, make sure the bottom of the mounting plate touch the bottom of the cabinet when pushed flush against the wall and that the plate is properly centered under the cabinet.

CAUTION: Be careful to avoid pinching fingers between the back of the mounting plate and the wall.

- 4 Tighten all bolts. Pull the plate away from the wall to help tighten the bolts.

B4. USE TOP CABINET TEMPLATE FOR PREPARATION OF TOP CABINET

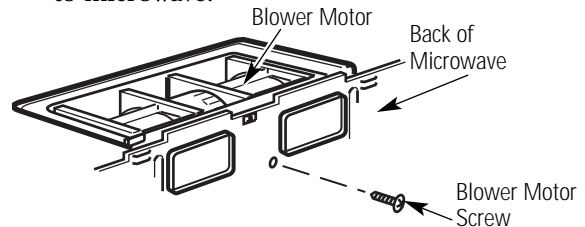
You need to drill holes for the top support screws and a hole large enough for the power cord to fit through.



- Read the instructions on the TOP CABINET TEMPLATE.
 - Tape it underneath the top cabinet.
 - Drill the holes, following the instructions on the TOP CABINET TEMPLATE.
- CAUTION:** Wear safety goggles when drilling holes in the cabinet bottom.

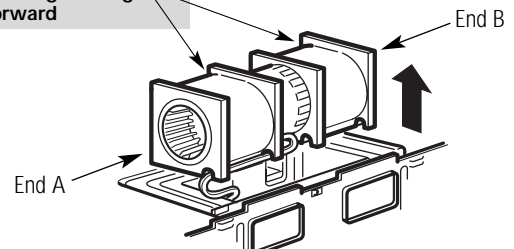
B5. ADAPTING MICROWAVE BLOWER FOR OUTSIDE BACK EXHAUST

- 1 Remove and save screw that holds blower motor to microwave.



- 2 Carefully pull out the blower unit. The wires will extend far enough to allow you to adjust the blower unit.

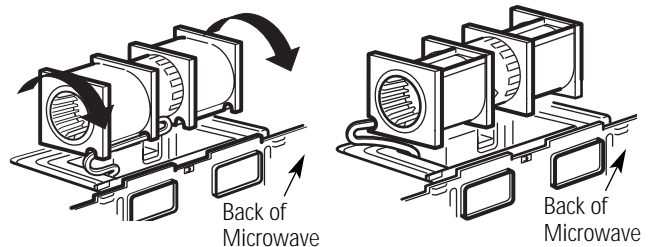
Before: Fan Blade Openings Facing Forward



- 3 Roll the blower unit 90°

Before Rotation

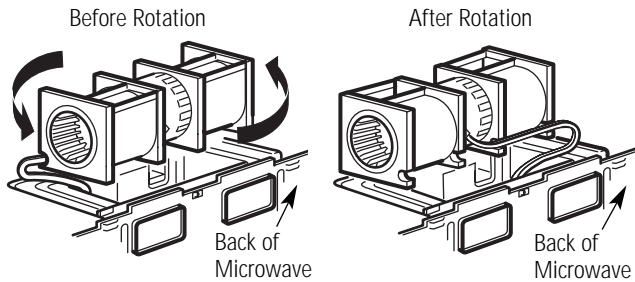
After Rotation



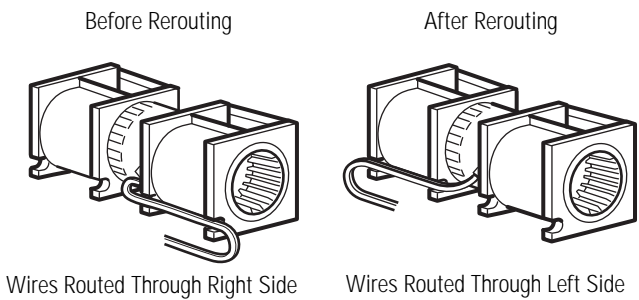
Installation Instructions

B5. ADAPTING MICROWAVE BLOWER FOR OUTSIDE BACK EXHAUST (cont.)

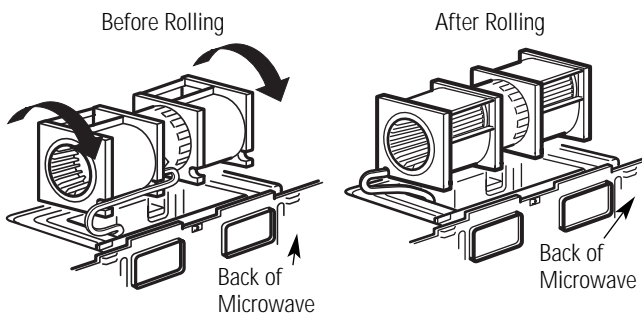
- 4 Rotate blower unit counterclockwise 180°.



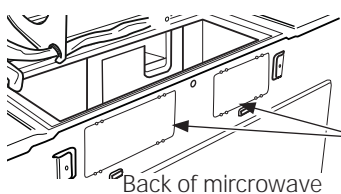
- 5 Gently remove the wires from the grooves. Reroute the wires through grooves on other side of the blower unit.



- 6 Roll the blower unit 90° so that fan blade openings are facing out the back of the microwave.



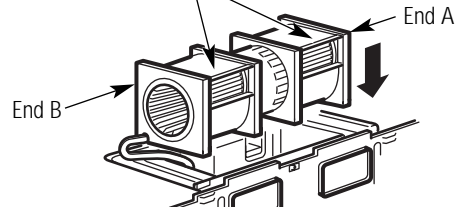
- 7 Remove the knockout plates in the back of the unit with snips. (For some models)



Knockout Plates: Snip all 4 webs on each knockout panel and remove the metal knockouts for rear airflow. Please take care to remove any sharp edges created from removing the knockout plates.

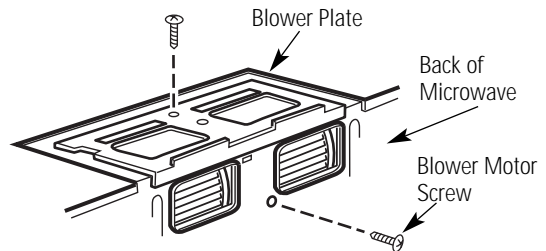
- 8 Place the blower unit back into the opening.

AFTER: Fan Blade Openings Facing Back



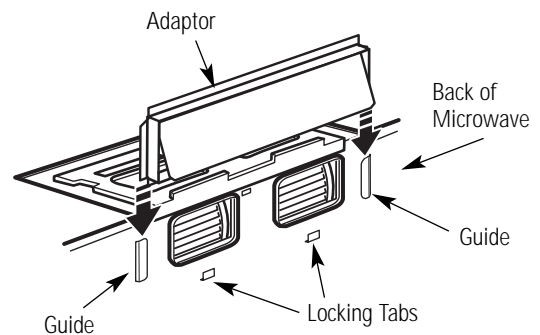
CAUTION: Do not pull or stretch the blower unit wiring. Make sure the wires are not pinched, and that they are properly secured.
NOTE: The blower unit exhaust openings should match exhaust openings on rear of microwave oven.

- 9 Secure the blower unit to the microwave with the original screw.



- 10 Replace the blower plate in the same position as before with the screw. Make sure the screw is tight.

- 11 Attach the exhaust adaptor to the rear of the oven by sliding it into the guides at the top center of the back of the oven.



Push in securely until it is in the lower locking tabs. Take care to assure that the damper hinge is installed so that it is at the top and that the damper swings freely.

Installation Instructions

B6. MOUNT THE MICROWAVE OVEN



FOR EASIER INSTALLATION AND PERSONAL SAFETY, WE RECOMMEND THAT **TWO PEOPLE INSTALL THIS MICROWAVE OVEN.**

IMPORTANT: Do not grip or use the handle or heat shield during installation. Do not remove the cardboard spacers between the heat shield and door.

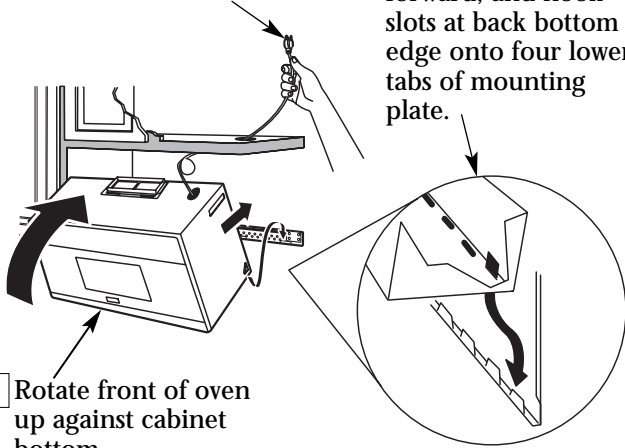
NOTE: If your cabinet is metal, use the nylon grommet around the power cord hole to prevent cutting of the cord.

NOTE: We recommend using filler blocks if the cabinet front hangs below the cabinet bottom shelf.

IMPORTANT: If filler blocks are not used, case damage may occur from overtightening screws.

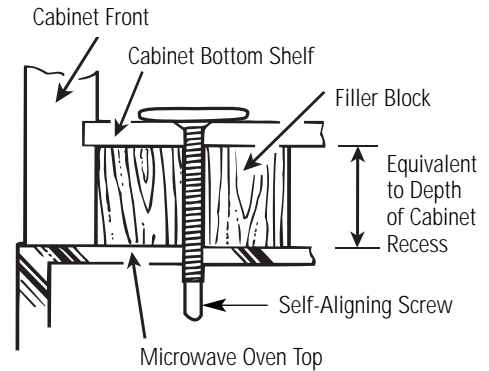
NOTE: When mounting the microwave oven, thread power cord through hole in bottom of top cabinet. Keep it tight throughout Steps 1-3. Do not pinch cord or lift oven by pulling cord.

1 Lift microwave, tilt it forward, and hook slots at back bottom edge onto four lower tabs of mounting plate.



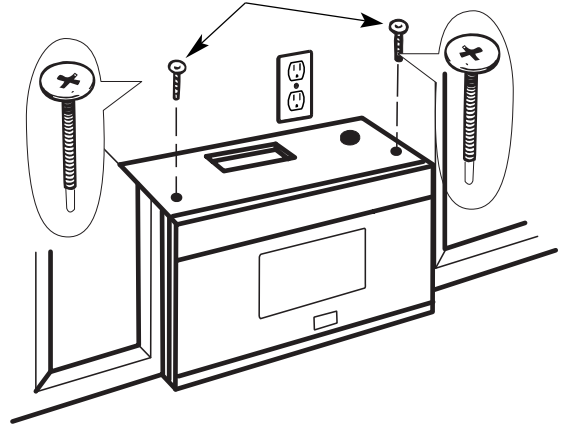
2 Rotate front of oven up against cabinet bottom.

3 Insert a self-aligning screw through top center cabinet hole. Temporarily secure the oven by turning the screw at least **two full turns** after the threads have engaged. (It will be completely tightened later.) **Be sure to keep power cord tight. Be careful not to pinch the cord, especially when mounting flush to bottom of cabinet.**

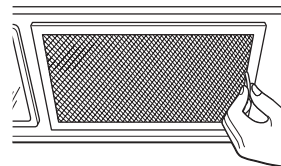


4 Attach the microwave oven to the top cabinet.

5 Insert 2 self-aligning screws through outer top cabinet holes. Turn two full turns on each screw.



6 Tighten the outer two screws to the top of the microwave oven. (While tightening screws, hold the microwave oven in place against the wall and the top cabinet.)



7 Install grease filters. See the Use and Care packed with the microwave.

Installation Instructions

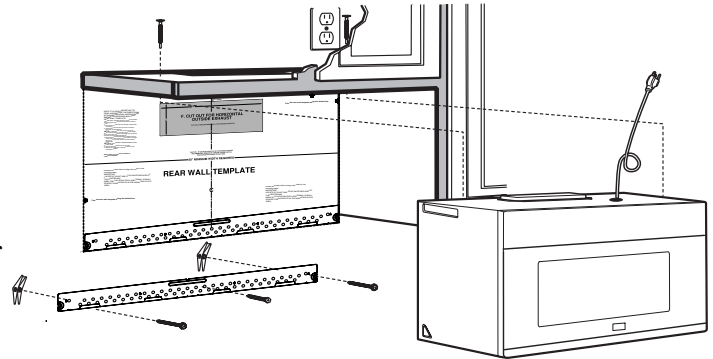
C RECIRCULATING (Non-Vented Ductless)

INSTALLATION OVERVIEW

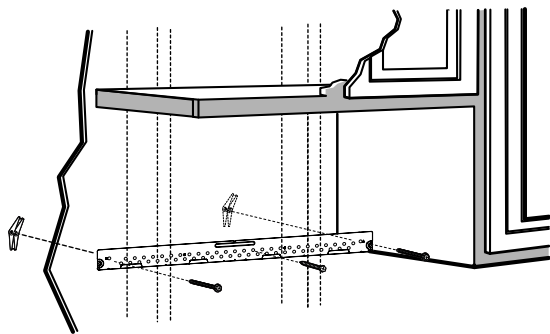
- C1. Attach Mounting Plate to Wall
- C2. Prepare Top Cabinet
- C3. Check Blower Plate
- C4. Mount the Microwave Oven
- C5. Install or change Charcoal Filter

IMPORTANT NOTES:

- Make sure the screws for the blower motor and blower plate are securely tightened when they are reinstalled. This will help to prevent excessive vibration.
- Make sure the motor wiring has been properly routed and secured, and that the wires are not pinched.

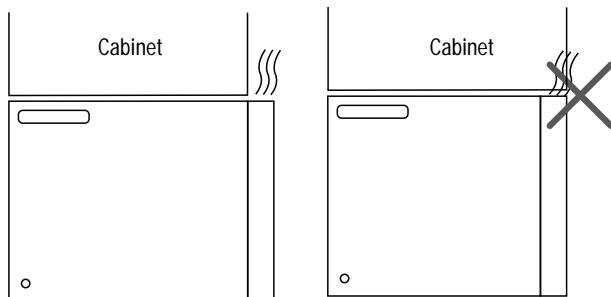


C1. ATTACH THE MOUNTING PLATE TO THE WALL



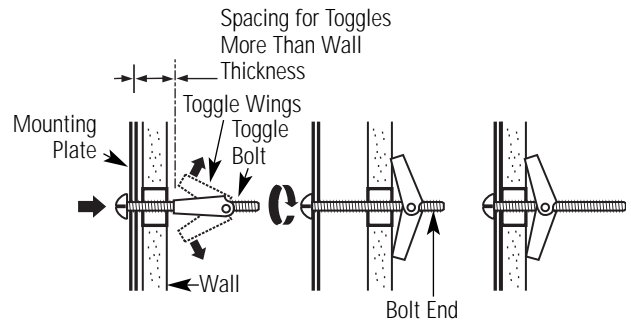
Attach the plate to the wall using toggle bolts. At least one wood screw must be used to attach the plate to a wall stud.

NOTE: If the cabinet depth including the cabinet doors is more than 13" then the unit must be spaced out from wall using adequate materials supporting 150 lbs to allow proper top vent air exhaust/intake.



- 1 Remove the toggle wings from the bolts.
- 2 Insert the bolts into the mounting plate through the holes designated to go into drywall and reattach the toggle wings to $\frac{3}{4}$ " (19 mm) onto each bolt.

To use toggle bolts:



- 3 Place the mounting plate against the wall and insert the toggle wings into the holes in the wall to mount the plate.

NOTE: Before tightening toggle bolts and wood screw, make sure the bottom of the mounting plate touch the bottom of the cabinet when pushed flush against the wall and that the plate is properly centered under the cabinet.

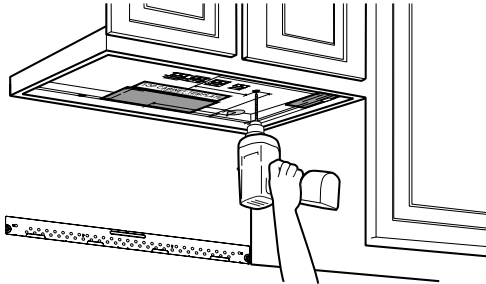
CAUTION: Be careful to avoid pinching fingers between the back of the mounting plate and the wall.

- 4 Tighten all bolts. Pull the plate away from the wall to help tighten the bolts.

Installation Instructions

C2. USE TOP CABINET TEMPLATE FOR PREPARATION OF TOP CABINET

You need to drill holes for the top support screws and a hole large enough for the power cord to fit through.



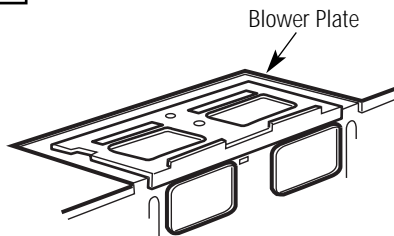
- Read the instructions on the TOP CABINET TEMPLATE.
- Tape it underneath the top cabinet.

NOTE: Adjust top template accordingly if the microwave is being spaced out from the wall due to cabinet depth (including cabinet doors) of more than 13".

- Drill the holes, following the instructions on the TOP CABINET TEMPLATE.

CAUTION: Wear safety goggles when drilling holes in the cabinet bottom.

C3. CHECK BLOWER PLATE



- Place the microwave in its upright position, with the top of the unit facing up.
- Check to see that the blower plate is correctly installed on the unit.

C4. MOUNT THE MICROWAVE OVEN



FOR EASIER INSTALLATION AND PERSONAL SAFETY, WE RECOMMEND THAT **TWO PEOPLE** INSTALL THIS MICROWAVE OVEN.

IMPORTANT: Do not grip or use the handle or heat shield during installation. Do not remove the cardboard spacers between the heat shield and door.

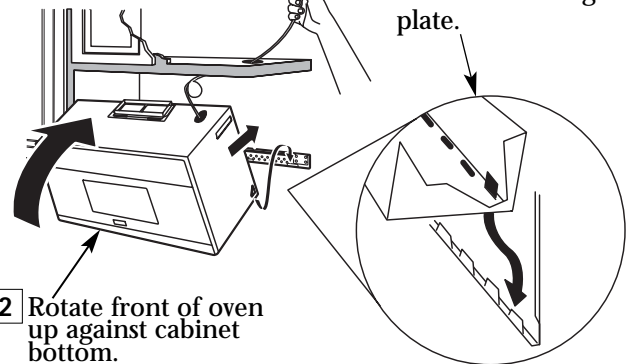
NOTE: If your cabinet is metal, use the nylon grommet around the power cord hole to prevent cutting of the cord.

NOTE: We recommend using filler blocks if the cabinet front hangs below the cabinet bottom shelf.

IMPORTANT: If filler blocks are not used, case damage may occur from overtightening screws.

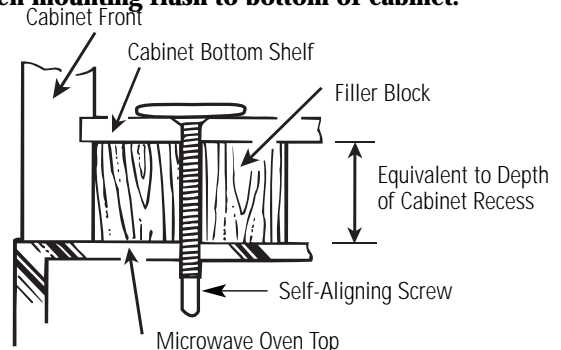
NOTE: When mounting the microwave oven, thread power cord through hole in bottom of top cabinet. Keep it tight throughout Steps 1-3. Do not pinch cord or lift oven by pulling cord.

- 1 Lift microwave, tilt it forward, and hook slots at back bottom edge onto four lower tabs of mounting plate.



- 2 Rotate front of oven up against cabinet bottom.

- 3 Insert a self-aligning screw through top center cabinet hole. Temporarily secure the oven by turning the screw at least **two full turns** after the threads have engaged. (It will be completely tightened later.) **Be sure to keep power cord tight. Be careful not to pinch the cord, especially when mounting flush to bottom of cabinet.**

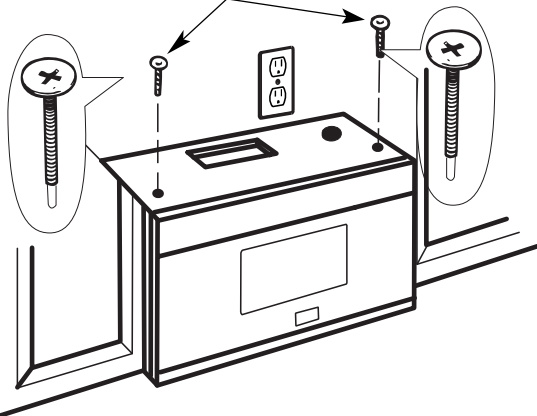


- 4 Attach the microwave oven to the top cabinet.

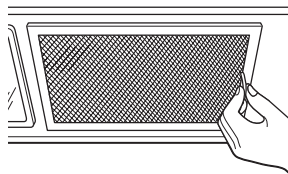
Installation Instructions

C4. MOUNT THE MICROWAVE OVEN (cont.)

- 5 Insert 2 self-aligning screws through outer top cabinet holes. Turn two full turns on each screw.



- 6 Tighten the outer two screws to the top of the microwave oven. (While tightening screws, hold the microwave oven in place against the wall and the top cabinet.)



- 7 Install grease filters. See the Use and Care packed with the microwave.

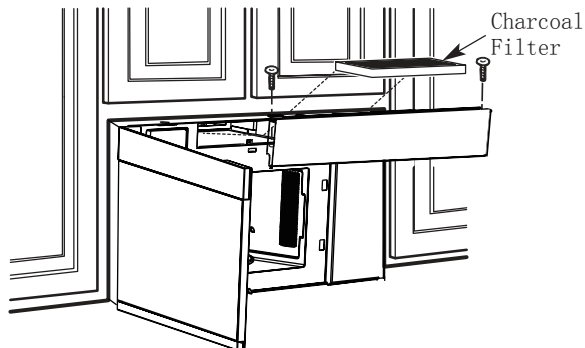
C5. INSTALLING OR CHANGE THE CHARCOAL FILTER (Some Models)

NOTE: The charcoal filter is factory installed in some models. Refer to the Use and Care to see if yours is factory installed and for replacement information.

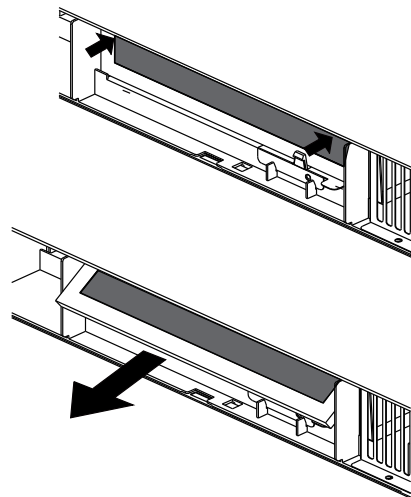
For models without the recirculation filter access door, follow these steps to replace or install a charcoal filter.

- 1 Unplug microwave oven or disconnect power.

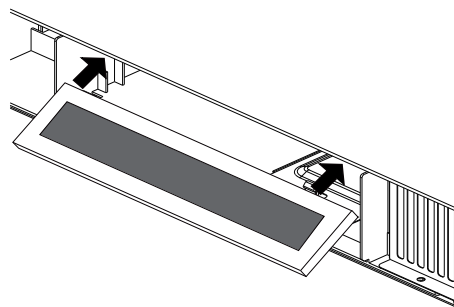
- 2 Open the microwave door and remove the two vent mounting screws located on top of the microwave using a #1 Phillips screwdriver.



- 3 Remove the charcoal filter by pushing the top of the filter inwards, then pull it forward out from the unit.

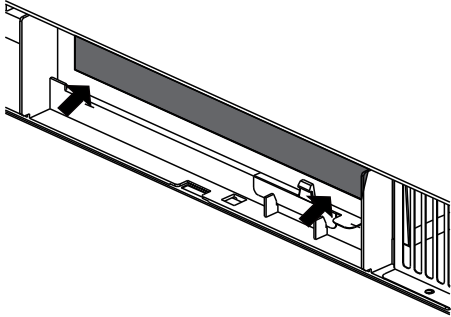


- 4 Slide the top of the new charcoal filter into the top of the filter cavity.

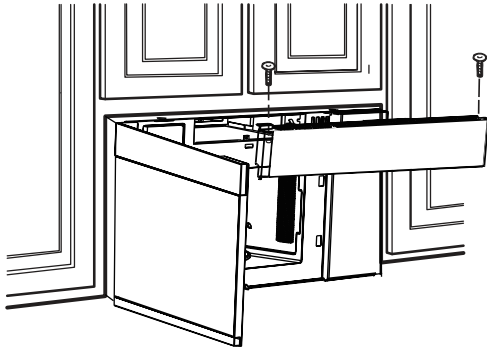


Installation Instructions

- 5 Press the bottom of charcoal filter to place it into the correct position.



- 6 Reinstall the vent by sliding the bottom of the vent into place. Push the vent top into position and slide right into place. Replace the two vent mounting screws located on top of the microwave using a #1 Phillips screwdriver.



- 7 Close the microwave door. Plug in microwave oven or reconnect power.

Installation Instructions

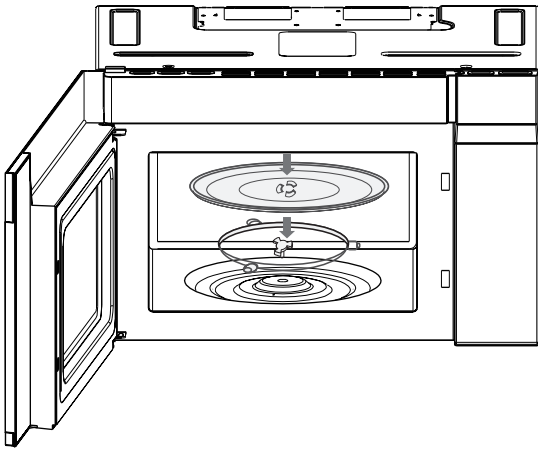
BEFORE YOU USE YOUR MICROWAVE

1. Make sure the microwave oven has been installed according to instructions.

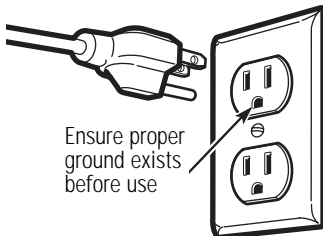


2. Remove all packing material from the microwave oven.

3. Install turntable ring and glass tray in cavity.

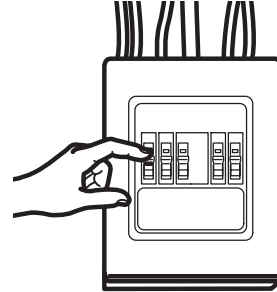


4. Plug power cord into a separate and dedicated 15- to 20-amp electrical outlet.



Ensure proper ground exists before use

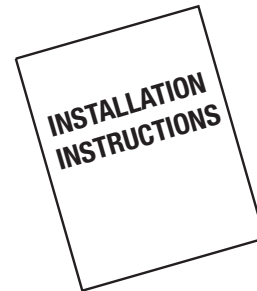
5. Replace house fuse or turn breaker back on.



6. Read the USE & CARE Manual.



7. KEEP INSTALLATION INSTRUCTIONS FOR THE LOCAL INSPECTOR'S USE.



8. FILL OUT PRODUCT REGISTRATION CARD AND SEND IN.



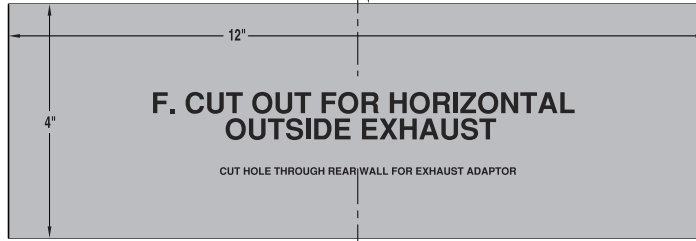
NOTE: IT IS VERY IMPORTANT TO READ AND FOLLOW THE DIRECTIONS IN THE INSTALLATION INSTRUCTIONS BEFORE PROCEEDING WITH THIS REAR WALL TEMPLATE.

This Rear Wall Template serves to position the bottom mounting plate and to locate the horizontal exhaust outlet.

1. Use a level to check that the template is positioned accurately.
2. Locate and mark at least one stud on the left or right side of the centerline.

NOTE: It is important to use at least one wood screw mounted firmly in a stud to support the weight of the microwave. Mark two additional, evenly spaced locations for the supplied toggle bolts.

3. Drill holes in the marked locations. Where there is a stud, drill a 3/16" hole for wood screws. For holes that do not line up with a stud, drill 5/8" holes for toggle bolts.
- NOTE: DO NOT INSTALL THE MOUNTING PLATE AT THIS TIME.**
4. Remove the template from the rear wall.
5. Review the Installation Instruction book for your installation situation.



Trim the rear wall template along the dotted line.

CAUTION - IF EXHAUST ADAPTOR IS POSITIONED OUTSIDE RECOMMENDED DIMENSION, GREASE-LADEN AIR WILL DISCHARGE INTO HOUSE STRUCTURE.

24" MINIMUM WIDTH REQUIRED

Locate and mark holes to align with holes in the mounting plate.

IMPORTANT:

LOCATE AT LEAST ONE STUD ON EITHER SIDE OF THE CENTERLINE.

MARK THE LOCATION FOR 2 ADDITIONAL, EVENLY SPACED TOGGLE BOLTS IN THE MOUNTING PLATE AREA.

REAR WALL TEMPLATE

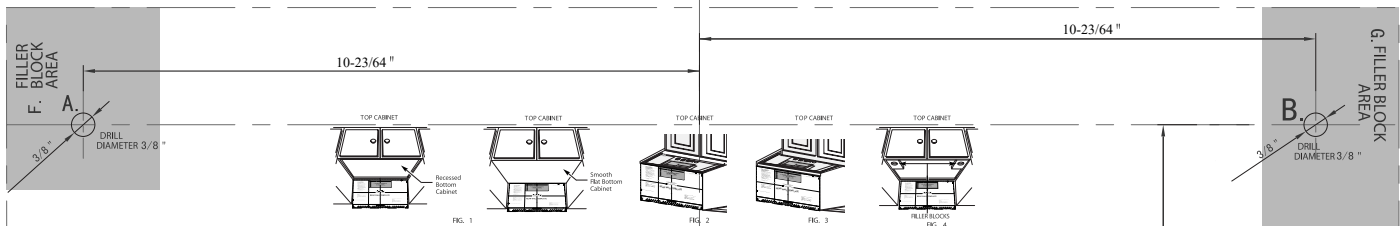
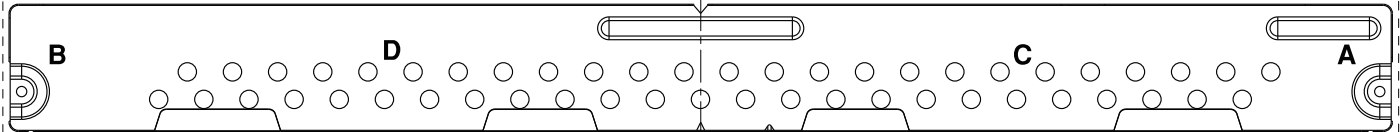
Locate and mark holes to align with holes in the mounting plate.

IMPORTANT:

LOCATE AT LEAST ONE STUD ON EITHER SIDE OF THE CENTERLINE.

MARK THE LOCATION FOR 2 ADDITIONAL, EVENLY SPACED TOGGLE BOLTS IN THE MOUNTING PLATE AREA.

Trim the rear wall template along the dotted line.



NOTE: IT IS VERY IMPORTANT TO READ AND FOLLOW THE DIRECTIONS IN THE INSTALLATION INSTRUCTIONS BEFORE PROCEEDING WITH THIS TOP CABINET TEMPLATE.

This template is used to locate the power cord clearance hole, cabinet mounting holes and the vertical exhaust outlet.

1. Determine if your cabinet has a recessed area or a smooth, flat bottom. See Fig. 1. If smooth, tape template onto the bottom surface (Fig. 2). If it is recessed, cut the edges of the template to fit in the recessed bottom of the cabinet. It is important that the edges of the cabinets permit level installation of the oven.

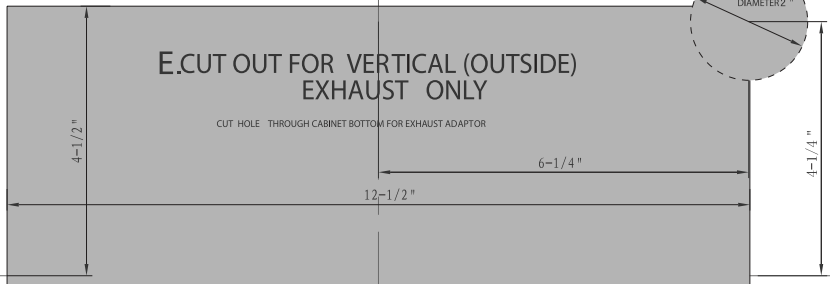
NOTE: On some cabinets a small bracket or glue block is used between the overhang and the underside of the cabinet bottom. Cut the template to fit around the bracket or glue block so that template will lie flat against the bottom of the cabinet.

Tape the Top Cabinet Template to the underside of the top cabinet in the recessed area (Fig. 3).

NOTE: Make sure the rear of the template touches the back wall (for smooth, flat bottom cabinets) or the back of the recess (for recessed bottom cabinets) after cutting the edges of the template.

TOP CABINET TEMPLATE

D. POWER CORD



2. Drill 3/8" diameter holes at A, B.

CAUTION: Wear safety goggles when drilling holes in the cabinet bottom.

3. Cut out the 2" diameter hole at D for power cord. If cabinets are metal, use the nylon grommet (see the Parts Included section in the Installation Instructions) to surround the opening to protect the cord.

4. (FOR VERTICAL EXHAUST ONLY) Cut out shaded area through the cabinet bottom for Vertical (Outside) Exhaust location.

5. Remove the top cabinet template.

6. For recessed cabinets, make 2 filler blocks out of scrap wood the size of the shaded areas F & G. These filler blocks must have a thickness equal to the depth of the cabinet recess. Drill 1/2" diameter holes in these blocks to line up with A & B. Place the blocks so that the holes in each block line up with the corresponding holes in the cabinet. The filler blocks should be at the same level as the bottom edge of the wall cabinet frame (Fig. 4).

7. RETURN TO AND PROCEED WITH THE INSTALLATION INSTRUCTIONS.

WALL

WALL

Instructions de montage

Four à Micro-ondes avec hotte intégrée

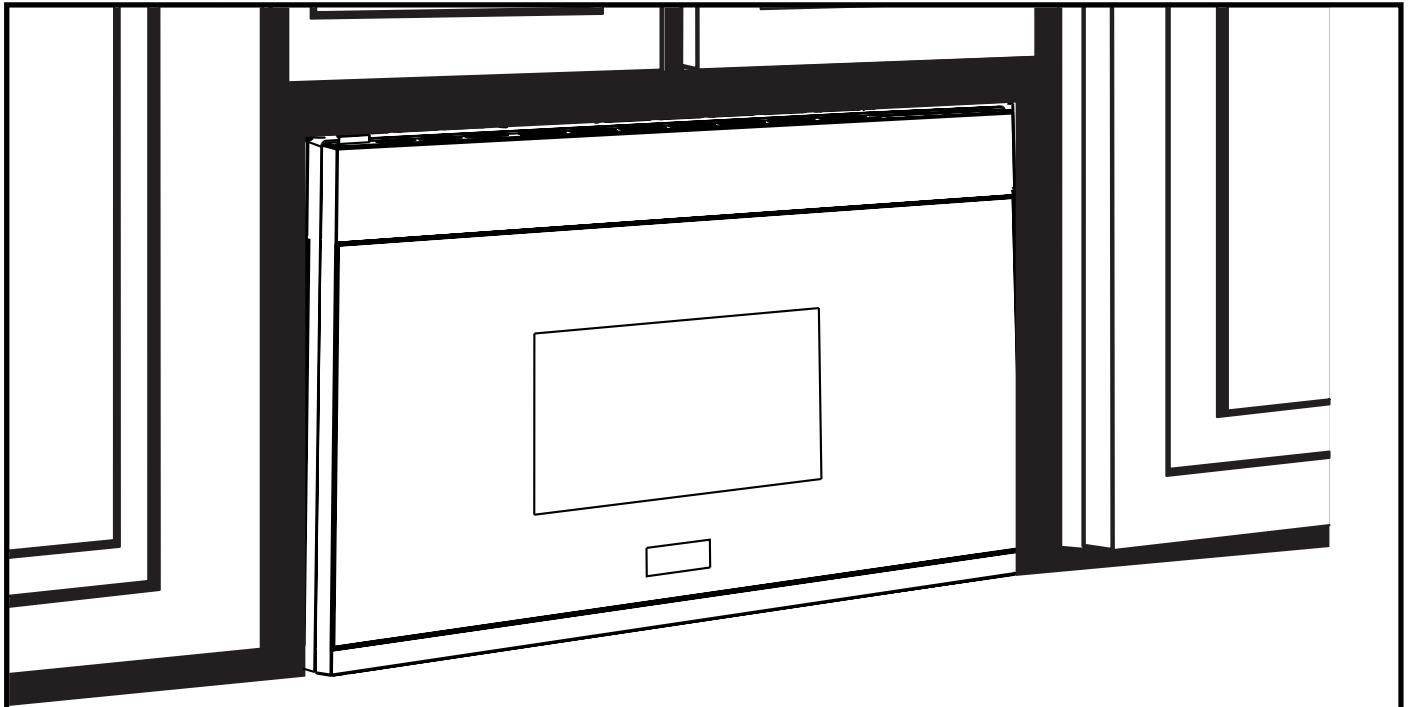
Pour toute question, appelez le 1-888-293-5662 or (416) 293-0933

Vous pouvez également écrire à : www.CycloneRangeHoods.com

AVANT DE COMMENCER

Lisez attentivement et entièrement ces instructions.

- **IMPORTANT** — Conservez ces instructions pour l'usage de l'inspecteur local.
- **IMPORTANT** — Respectez tous les codes et ordonnances en vigueur.
- **Note à l'installateur** - Veillez à laisser ces instructions au consommateur.
- **Note au consommateur** - Conservez ces instructions pour référence ultérieure.
- **Niveau de compétence** - L'installation de cet appareil requiert des compétences de base en mécanique et en électricité.
- Il incombe à l'installateur d'effectuer une installation adéquate.
- La défaillance du produit due à une mauvaise installation n'est pas couverte par la garantie.



**LISEZ ATTENTIVEMENT.
CONSERVEZ CES INSTRUCTIONS.**

Instructions de montage

CONTENU

Informations générales

Consignes de sécurité importantes.....	3
Exigences électriques.....	3
Dommages - Expédition / Installation.....	4
Pièces incluses.....	4
Outils dont vous aurez besoin.....	5
Espace de montage.....	5

Guide de montage étape par étape

Placement de la plaque de montage.....	6-8
Retrait de la plaque de montage.....	6
Localisation des montants muraux.....	6
Détermination de l'emplacement des plaques murales.....	7
Alignement de la plaque murale.....	8
Types de montages.....	9-23
Évacuation de la hotte.....	10-11

A Évacuation extérieure vers le haut.....	12-15
Fixation de la plaque de montage au mur.....	12
Préparation de l'armoire supérieure.....	13
Adaptation du ventilateur du four à micro-ondes Pour évacuation extérieure vers le haut.....	13-14
Vérification du bon fonctionnement du clapet	14
Montage du four à micro-ondes.....	14-15
Réglage de l'adaptateur d'évacuation.....	15
Raccordement des conduits.....	15

B Évacuation extérieure vers l'arrière.....	16-19
Préparation du mur arrière pour l'évacuation extérieure vers l'arrière.....	16
Retrait de la plaque de ventilation.....	16
Fixation de la plaque de montage au mur.....	17
Préparation de l'armoire supérieure.....	17

Adaptation du ventilateur du four à micro-ondes pour l'évacuation extérieure vers l'arrière.....	17-18
--	-------

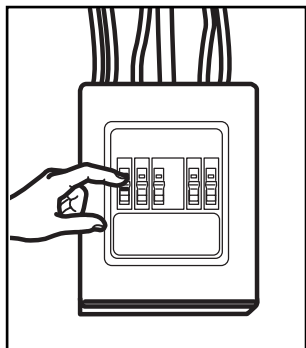
Montage du four à micro-ondes.....	19
------------------------------------	----

C Recirculation.....	20-23
Fixation de la plaque de montage au mur... ..	20
Préparation de l'armoire supérieure.....	21
Vérification de la plaque de ventilation... ..	21
Montage du four à micro-ondes.....	21-22
Mise en place ou changement du filtre à charbon.....	22
Avant l'utilisation de votre four à micro-ondes.....	24
Informations sur le modèle.....	25

Instructions de montage

CONSIGNES DE SÉCURITÉ IMPORTANTES

Ce produit nécessite une prise de courant à trois broches mise à la terre. L'installateur doit effectuer une vérification de la continuité de la mise à la terre sur la boîte de la prise électrique avant de commencer l'installation pour s'assurer que la boîte de prise électrique est bien mise à la terre. Si la prise n'est pas correctement mise à la terre, ou si la prise ne répond pas aux exigences électriques indiquées (sous EXIGENCES ÉLECTRIQUES), il faut faire appel à un électricien qualifié pour corriger les anomalies.



ATTENTION : Pour la sécurité personnelle, retirez le fusible résidentiel ou le disjoncteur ouvert avant de commencer l'installation afin d'éviter des blessures graves ou mortelles par décharge électrique.

MISE EN GARDE : Pour la sécurité personnelle, la surface de montage doit pouvoir supporter la charge de l'armoire, en plus du poids supplémentaire de ce produit de 28,5-38,5 kg (63-85 livres), plus des charges supplémentaires du four jusqu'à 22,7 kg (50 livres) ou un poids total de 51,3-61,2 kg (113-135 livres).

MISE EN GARDE : Pour des raisons de sécurité personnelle, ce produit ne peut être installé dans des arrangements d'armoire en îlot ou en péninsule. Il doit être monté À LA FOIS sur une armoire supérieure ET sur un mur.

REMARQUE : pour faciliter l'installation et assurer la sécurité personnelle, il est recommandé que deux personnes installent ce produit.

IMPORTANT - VEUILLEZ LIRE ATTENTIVEMENT. POUR LA SÉCURITÉ PERSONNELLE, CET APPAREIL DOIT ÊTRE CORRECTEMENT MIS À LA TERRE POUR ÉVITER TOUTE DÉCHARGE ÉLECTRIQUE GRAVE OU FATALE.



Le cordon d'alimentation de cet appareil est équipé d'une fiche à trois broches (mise à la terre) qui s'accouple avec une prise murale standard à trois broches (mise à la terre) afin de minimiser les risques de décharge électrique provenant de cet appareil.

Vous devez faire vérifier la prise murale et le circuit par un électricien qualifié pour vous assurer que la prise est correctement mise à la terre.

Lorsqu'une prise murale standard à deux broches est présente, il est très important de la faire remplacer par une prise murale à trois broches correctement mise à la terre qui est installée par un électricien qualifié.

NE COUPEZ, NE DÉFORMEZ OU N'ENLEVEZ EN AUCUN CAS LES BROCHES DU CORDON D'ALIMENTATION. NE L'UTILISEZ PAS AVEC UNE RALLONGE ÉLECTRIQUE.

EXIGENCES ÉLECTRIQUES

La tension nominale du produit est de 120 volts CA, 60 Hertz, 15 ampères et 1,6 kilowatt. Ce produit doit être branché à un circuit d'alimentation séparé et dédié avec tension et fréquence appropriées. Le calibre des fils doit être conforme aux exigences du code national de l'électricité ou du code local en vigueur pour cette puissance en kilowatts.

Le cordon d'alimentation et la fiche doivent être branchés sur une prise de courant séparée et dédiée de 15 à 20 ampères avec mise à la terre. La boîte de la prise doit être située dans l'armoire au-dessus du four à micro-ondes. La boîte de la prise et le circuit d'alimentation doivent être installés par un électricien qualifié et être conformes au code national de l'électricité ou au code local en vigueur.


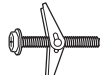


Instructions de montage

DOMMAGES — EXPÉDITION / INSTALLATION

- Si l'appareil est endommagé pendant le transport, renvoyez-le au magasin où vous l'avez acheté afin qu'il soit réparé ou remplacé.
- Si l'appareil est endommagé par le client, la réparation ou le remplacement est à la charge de ce même client.
- Si l'appareil est endommagé par l'installateur (s'il n'est pas le client), la réparation ou le remplacement doit être effectué selon un accord avec le client.

PIÈCES INCLUSES



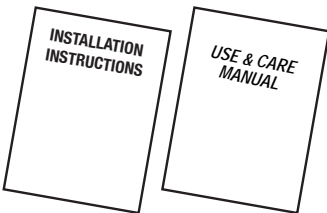
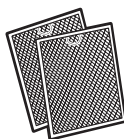
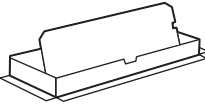


Paquet de quincaillerie

PIÈCE		QUANTITÉ
	Vis à bois ($\frac{1}{4}$ po" X 2 po".)	2
	Boulons à ailettes (et écrous à oreilles) ($\frac{3}{16}$ po" X 3 po".)	2
	Vis à métal à auto-alignement ($\frac{1}{4}$ po" -28 x $3\frac{1}{4}$ po".)	3
	Oeillet en nylon (pour cabinets en métal)	1

Vous trouverez la quincaillerie d'installation dans un paquet avec l'appareil. Assurez-vous de disposer de toutes ces pièces.

REMARQUE : Certaines pièces supplémentaires sont incluses.

PIÈCES INCLUSES (SUITE) PIÈCES SUPPLÉMENTAIRES

PIÈCE		QUANTITÉ
	Gabarit d'armoire supérieure	1
	Gabarit du mur arrière	1
	Instructions de montage	1
	Guide d'utilisation et d'entretien	1
	Filtres à graisse emballés séparément	2
	Adaptateur d'évacuation	1
	Plateau en verre	1
	Anneau rotatif	1

Instructions de montage

OUTILS DONT VOUS AUREZ BESOIN



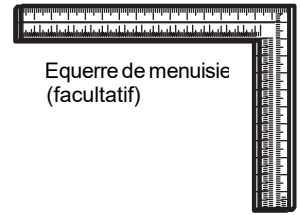
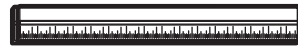
Tournevis Phillips n° 1



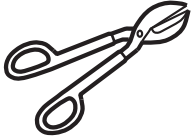
Crayon



Règle ou ruban à mesurer et bord droit



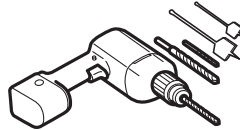
Equerre de menuiserie (facultatif)



Cisaille de ferblantier (pour couper le clapet, si nécessaire)



Ciseaux (pour couper le gabarit, si nécessaire)



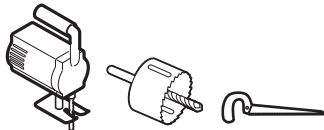
Perceuse électrique de 3/16 po., 1/2 po. et mèches de forage de 5/8 po.



Blocs d'espacement ou morceaux de bois de rebut, si nécessaire pour l'espacement des armoires supérieures (utilisé uniquement pour les installations d'armoires inférieures encastrées)



Gants



Scie (scie sauteuse ou scie à guichet)



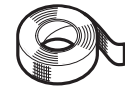
Localisateur de montants ou marteau (facultatif)



Lunettes de protection



Niveau



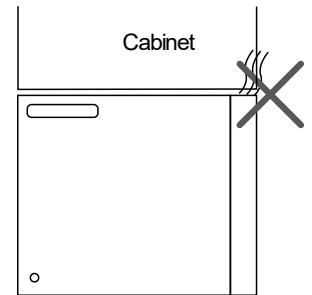
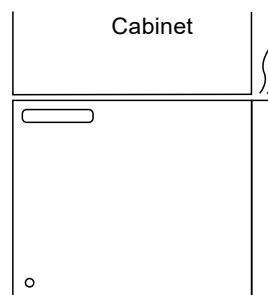
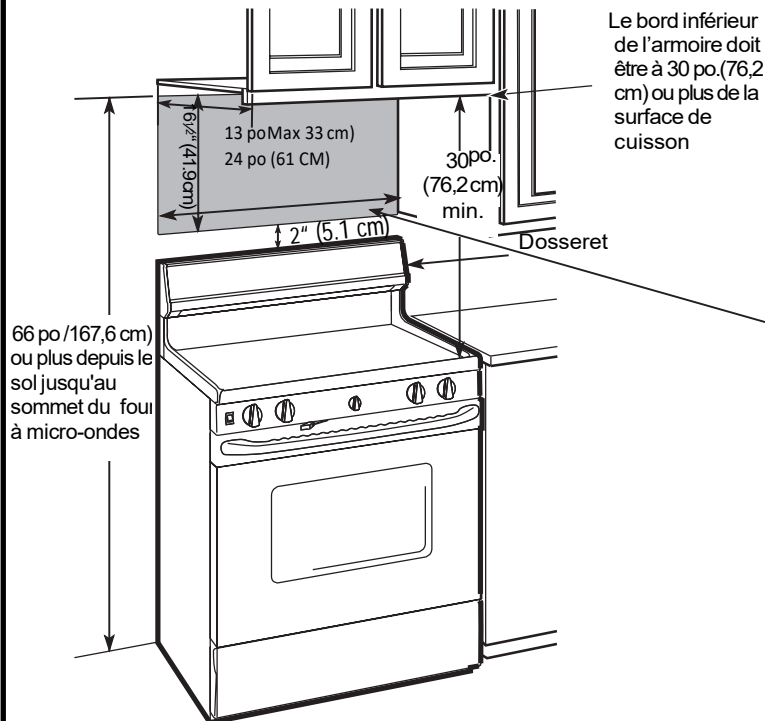
Ruban-cache et de conduit

ESPACE DE MONTAGE

NOTES:

- L'espace entre les cabinets doit avoir une largeur de 24 pouces (61,0 cm) et être exempt d'obstructions
- Si vous devez ventiler votre four à micro-ondes à l'extérieur, consultez la section sur l'évacuation de la hotte pour la préparation du conduit d'évacuation.
- Au cours de l'installation du four à micro-ondes sous des armoires lisses et planes, suivez les instructions figurant sur le gabarit de l'armoire supérieure pour le dégagement du cordon d'alimentation.
- - Comme guide d'installation, voir page 24 pour le montage.

Si la profondeur de l'armoire, y compris ses portes, est supérieure à 13 po, l'unité doit être espacée du mur à l'aide de matériaux adéquats pouvant supporter 150 lb pour permettre une évacuation/prise d'air adéquate de l'air par le haut.

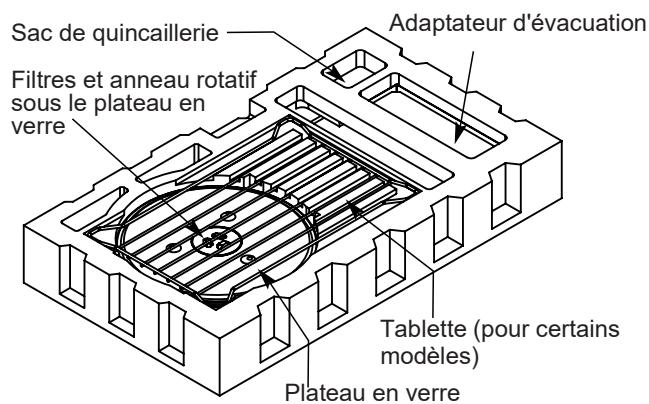


Instructions de montage

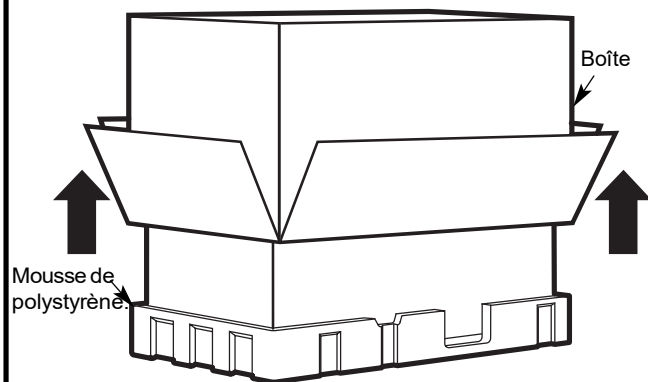
1 PLACEMENT DE LA PLAQUE DE MONTAGE

A. RETRAIT DU FOUR À MICRO-ONDES DE SA BOÎTE / RETRAIT DE LA PLAQUE DE MONTAGE

- 1 Retirez les instructions d'installation, d'utilisation et d'entretien, ainsi que l'adaptateur d'évacuation, l'anneau rotatif, la tablette, les filtres, le plateau en verre et le petit sac de quincaillerie. Ne retirez pas la mousse de polystyrène protégeant l'avant du four.

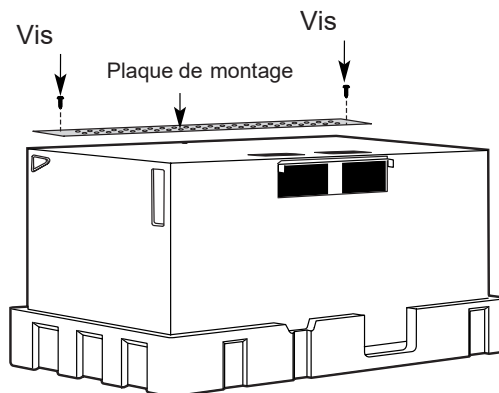


- 2 Repliez entièrement les 4 rabats de la boîte contre les côtés de celle-ci. Ensuite, retournez avec précaution le four et la boîte sur la face supérieure. Le four doit reposer dans la mousse de polystyrène.



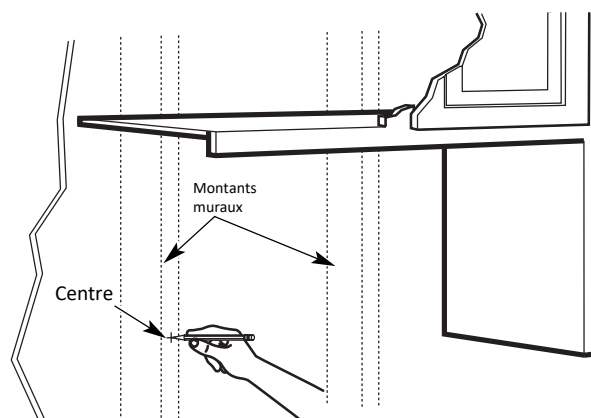
- 3 Tirez la boîte vers le haut et hors du four.

- 4 Découpez le centre du sac de protection extérieur en plastique pour retirer la plaque de montage



- 5 Retirez les vis de chaque extrémité de la plaque de montage. Cette plaque servira de gabarit pour le mur arrière et pour le montage. Réinstallez les vis dans les trous où elles ont été retirées.

B. TROUVER LES MONTANTS MURAUX



- 1 Trouvez les montants en utilisant l'une des méthodes suivantes :

- A. Localisateur de montants - un dispositif magnétique qui repère les clous.
- B. Utilisez un marteau pour taper légèrement sur la surface de montage afin d'obtenir un son solide. Cela indiquera l'emplacement des montants.

- 2 Après avoir localisé le(s) montant(s), on en détermine le centre en sondant le mur au moyen d'un petit clou afin de déterminer les bords du montant. Ensuite, placez une marque à mi-chemin entre les bords. Le centre de tout montant adjacent doit être 16po (40,6 cm) ou 24 po (61 cm) de cette marque.

- 3 Tracez une ligne au centre des montants.

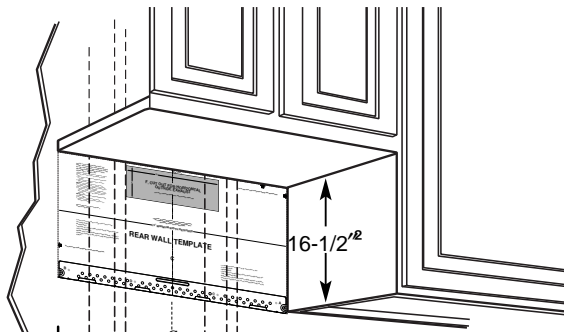
LE FOUR À MICRO-ONDES DOIT ÊTRE FIXÉ SUR AU MOINS UN MONTANT MURAL.

Instructions de montage

C.

DÉTERMINATION DE L'EMPLACEMENT DE LA PLAQUE MURALE SOUS VOTRE ARMOIRE

Emplacement de la plaque - sous l'armoire à fond plat

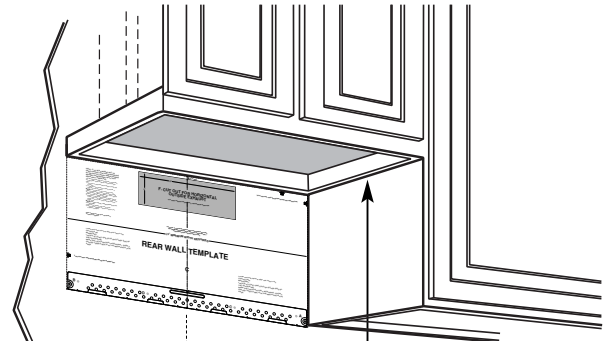


Au moins 24
pouces

Tracez une ligne verticale
sur le mur au centre de
l'espace de 24 pouces de
largeur.

Collez le gabarit du mur
arrière sur le mur en suivant
la ligne centrale et en
touchant le bas de
l'armoire.

Emplacement de la plaque - sous le fond de l'armoire encadrée encadrée

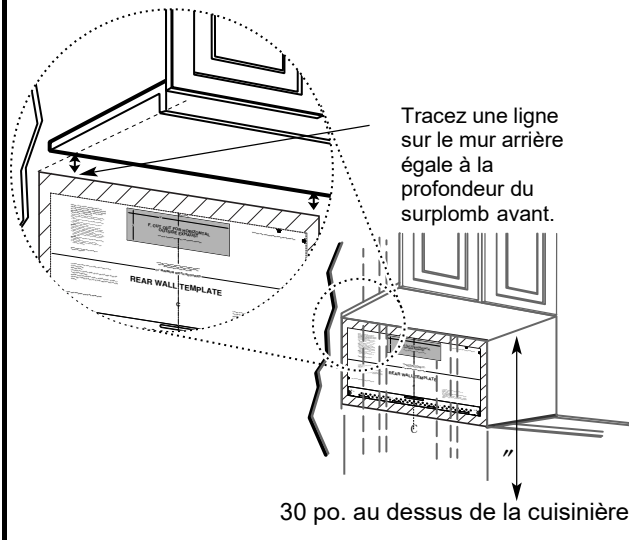


30 po au dessus de la cuisinière

Tracez une ligne verticale sur le mur au centre de l'espace de 24 pouces de largeur.

Collez le gabarit du mur arrière sur le mur en suivant la ligne centrale et en touchant le bas de l'armoire.

Emplacement de la plaque - sous l'armoire inférieure en retrait au surplomb avant



Tracez une ligne sur le mur arrière égale à la profondeur du surplomb avant.

30 po. au dessus de la cuisinière

Vos armoires peuvent comporter des bordures décoratives qui gênent l'installation du four à micro-ondes. Enlevez la bordure décorative pour installer correctement le four et le mettre à niveau.

LE FOUR À MICRO-ONDES DOIT ÊTRE DE NIVEAU.

Utilisez un niveau pour vous assurer que le bas de l'armoire est de niveau.

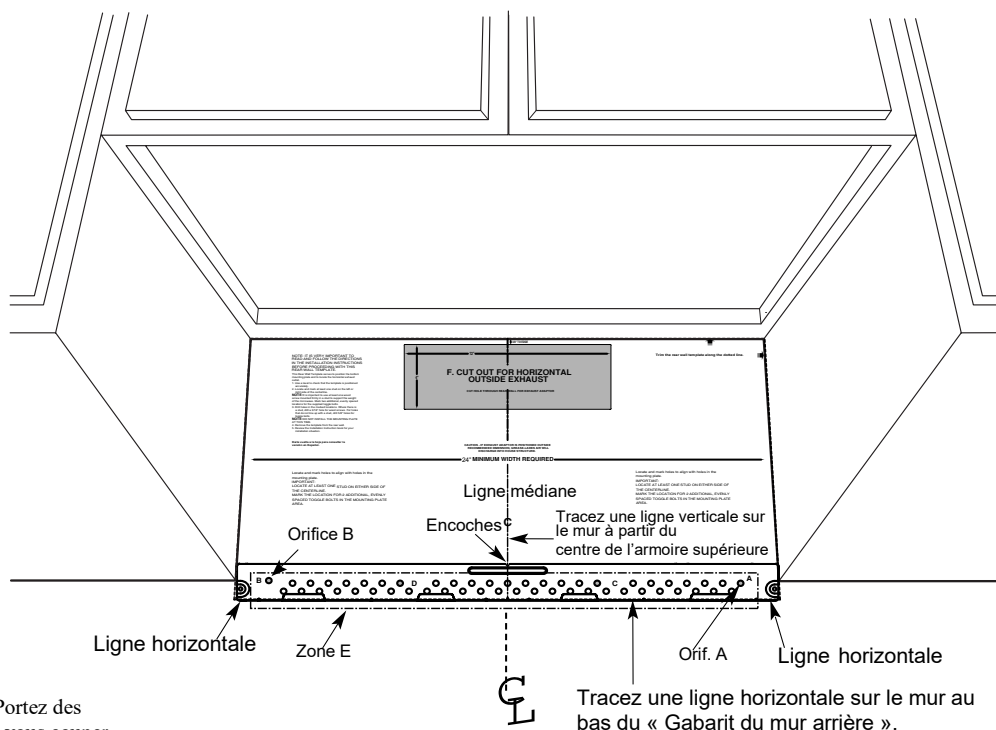
Si les armoires ont uniquement un surplomb avant, sans cadre arrière ou latéral, installez la plaque de montage à la même distance que la profondeur du surplomb avant.

Cela permettra de maintenir le niveau du four à micro-ondes

- 1 Mesurer la profondeur intérieure du surplomb avant.
- 2 Tracez une ligne horizontale sur le mur arrière à une distance égale sous le bas de l'armoire à la profondeur intérieure du surplomb avant.
- 3 Pour ce type d'installation au surplomb avant uniquement, alignez les languettes de fixation avec cette ligne horizontale, sans toucher le fond de l'armoire comme décrit à l'étape D.

Instructions de montage

D ALIGNEMENT DE LA PLAQUE MURALE



ATTENTION: Portez des gants pour éviter de vous couper les doigts sur des bords tranchants.

- 1 Tracez une ligne verticale sur le mur au centre de l'espace de 24 pouces de largeur.
- 2 Tracez une ligne horizontale sur le mur au bas du « Gabarit du mur arrière »
- 3 Trouvez un montant mural dans la zone « E » de la plaque de montage. Reportez-vous à la section 1B. Localisation des montants muraux.
- 4 Pour fixer la plaque de montage dans le montant, percez un trou de 3/16 de pouce dans le montant en bois. Percez un trou de 5/8 de pouce pour le boulon à ailettes à un autre endroit (Trou A ou Trou B)

NOTE : NE PAS MONTER LA PLAQUE POUR LE MOMENT.

NOTE : Les orifices A et B se trouvent dans la zone E. Si aucun des orifices A et B n'est dans un montant, trouvez un montant quelque part dans la zone E et tracez un cercle pour vous aligner avec le montant. Il est important d'avoir au moins une vis de bois fixée fermement dans un montant pour supporter le poids du four à micro-ondes. Mettez la plaque de montage de côté.

Instructions de montage

2

TYPES DE MONTAGES

(Choisissez A, B ou C)

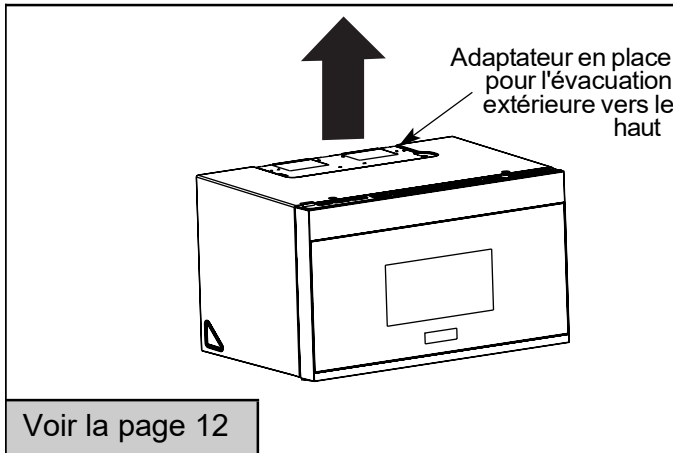
Ce four à micro-ondes est conçu pour s'adapter aux trois types de ventilation suivants:

- A. Évacuation extérieure vers le haut (conduit vertical)
- B. Évacuation extérieure vers l'arrière (conduit horizontal)
- C. Recirculation (sans conduit d'aération)

Note: Ce four à micro-ondes est expédié prémonté pour la « recirculation ». Sélectionnez le type de ventilation requis pour votre installation et passez à cette section.

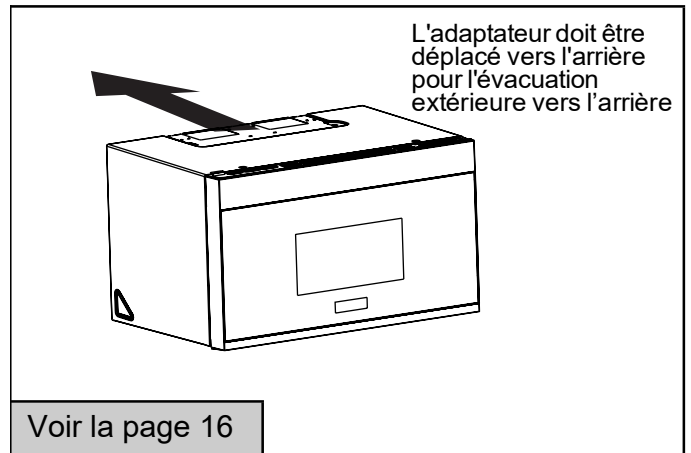
A

Évacuation extérieure vers le haut (conduit vertical)



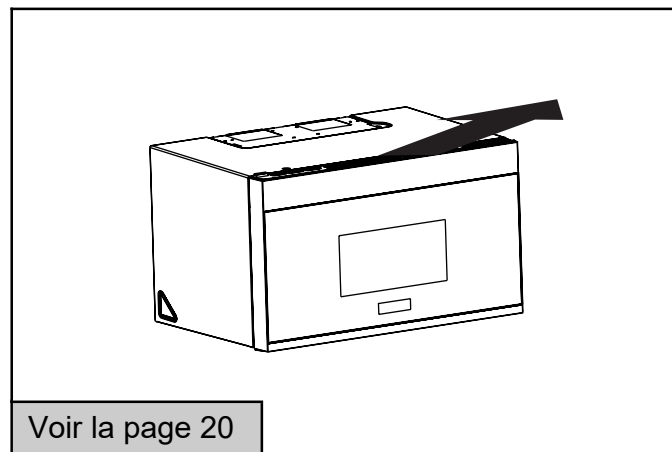
B

Évacuation extérieure vers l'arrière (conduit horizontal)



C

Recirculation (sans conduit d'aération)



Les modèles sont expédiés pour la ventilation par recirculation. Certains modèles sont équipés d'un filtre à charbon jetable pour aider à éliminer la fumée et les odeurs.

NOTE: Ne lisez les deux pages suivantes que si vous prévoyez une évacuation vers l'extérieur. Si vous prévoyez faire recirculer l'air dans la pièce, passez à la page 20.

Instructions de montage

INSTRUCTIONS DE MONTAGE DES CONDUITS D'ÉVACUATION EXTÉRIEURE

NOTE: Si vous devez installer des conduits, notez que la longueur totale du conduit rectangulaire de 3 1/4 po x 10 po (8,2 x 25,4 cm) ou le conduit rond de 5 po (12,7 cm) de diamètre / 6 po (15,2 cm) de diamètre **ne doit pas dépasser 120 pieds (36,5 m)**.

La ventilation extérieure nécessite un CONDUIT D'ÉVACUATION EXTERNE. Lisez attentivement ce qui suit.

NOTE : Il est important que la ventilation soit installée en utilisant la voie la plus directe et avec le moins de coudes possible. Cela permet d'assurer une bonne ventilation pour l'évacuation et d'éviter les blocages. **Assurez-vous également que les clapets tournent librement et que rien ne bloque les conduits.**

Raccordement de l'évacuation :





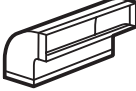
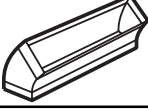


L'adaptateur d'évacuation a été conçu pour s'accoupler avec un conduit rectangulaire standard de 3 1/4 po x 10 po (8,2 x 25,4 cm). Si un conduit rond est nécessaire, il faut utiliser un adaptateur de transition rectangulaire à rond. **Un conduit de 5 po (12,7cm) / 6 po (15,2cm) de diamètre est acceptable.**

Longueur maximale du conduit :

Pour une circulation d'air satisfaisante, la longueur totale du conduit rectangulaire de 3 1/4 po x 10 po (8,2 x 25,4 cm) ou conduit rond de 5 po (12,7 cm) de diamètre / 6 po (15,2 cm) de diamètre **ne doit pas dépasser 36,5 m (120 pieds)**.

Les coudes, les transitions, les capuchons de mur et de toit, etc., présentent une résistance supplémentaire à la circulation de l'air et sont équivalents à une section de conduit droit plus longue que leur taille physique réelle. Pour calculer la longueur totale du conduit, il faut additionner les longueurs équivalentes de toutes les transitions et de tous les adaptateurs, plus la longueur de toutes les sections droites du conduit.

Le tableau ci-dessous vous montre comment calculer la longueur totale des longueurs équivalentes des conduits en utilisant les pieds approximatifs de longueur équivalente de certains conduits typiques.

PIÈCES DE CONDUIT		LONGUEUR ÉQUIVALENTE	x	NOMBRE UTILISÉ	=	LONGUEUR ÉQUIVALENTE
	Adaptateur de transition de rectangulaire à rond*	5Pi. (1,5 m)	x	()	=	Pi. ou m
	Capuchon de mur	40Pi. (12,2 m)	x	()	=	Pi. ou m
	Coude de 90°	10Pi. (3 m)	x	()	=	Pi. ou m
	Coude de 45°	5Pi. (1,5 m)	x	()	=	Pi. ou m
	Coude de 90°	25Pi. (7,6 m)	x	()	=	Pi. ou m
	Coude de 45°	5Pi. (1,5 m)	x	()	=	Pi. ou m
	Capuchon de toit	24Pi. (7,3 m)	x	()	=	Pi. ou m
	Conduit droit 6 po (15,2 cm) Rond ou 3 1/4 po x 10 po (8,2 x 25,4 cm rectangulaire)	1Pi. (0,3 m)	x	()	=	Pi. ou m
Total des conduits					=	Pi. ou m



* **IMPORTANT:** Si un adaptateur de transition rectangulaire-rond est utilisé, les coins inférieurs du clapet devront être découpés à l'aide de ciseaux à tôle afin de permettre un mouvement libre du clapet.

Les longueurs équivalentes des conduits sont basées sur des tests réels et reflètent les exigences d'une bonne exécution de la ventilation avec n'importe quelle hotte de ventilation.

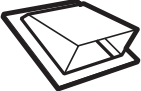


Instructions de montage

CONDUITS D'ÉVACUATION EXTÉRIURE

ÉVACUATION EXTÉRIURE VERS LE HAUT (EXEMPLE SEULEMENT)

Le tableau suivant décrit un exemple de montage possible de conduits.

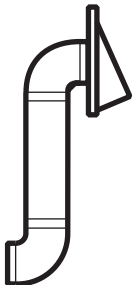





PIÈCES DE CONDUIT	LONGUEUR ÉQUIVALENTE	x	NOMBRE UTILISÉ	=	LONGUEUR ÉQUIVALENTE
 Capuchon de toit	24Pi. (7,3 m)	x	(1)	=	24Pi. (7,3 m)
 Conduit droit de 3,6 m (6po /15,2 cm rond)	12Pi. (3,6 m)	x	(1)	=	12Pi. (3,6 m)
 Adaptateur de transition de rectangulaire à rond*.	5Pi. (1,5 m)	x	(1)	=	5Pi. (1,5 m)
Les longueurs équivalentes des conduits sont basées sur des tests réels et reflètent les exigences de bonne performance de ventilation avec n'importe quelle hotte de ventilation				Longueur totale	= 41 Pi. (12,5 m)

* **IMPORTANT:** Si un adaptateur de transition rectangulaire-rond est utilisé, les coins inférieurs du clapet devront être découpés à l'aide de cisailles à tôle pour permettre le libre mouvement du clapet.

ÉVACUATION EXTÉRIURE VERS L'ARRIÈRE (EXEMPLE SEULEMENT)

Le tableau suivant décrit un exemple d'un montage possible de conduits.



PIÈCES DE CONDUIT	LONGUEUR ÉQUIVALENTE *	x	NOMBRE UTILISÉ	=	LONGUEUR ÉQUIVALENTE
 Capuchon de toit	40Pi. (12,2 m)	x	(1)	=	40Pi. (12,2 m)
 Conduit droit de 3 pi (31/4 po x 10 po/8,2 x 25,4 cm Rectangulaire)	3Pi. (0,9 m)	x	(1)	=	3Pi. (0,9 m)
 Coude de 90°	10Pi. (3 m)	x	(2)	=	20Pi. (3 m)
Les longueurs équivalentes des conduits sont basées sur des tests réels et reflètent les exigences de bonne performance de ventilation avec n'importe quelle hotte de ventilation				Longueur totale	= 63 Pi. (19,2 m)

NOTE: Pour l'évacuation vers l'arrière, il faut veiller à aligner l'évacuation avec l'espace entre les montants, ou le mur doit être préparé au moment de sa construction en laissant suffisamment d'espace entre les montants du mur pour accueillir l'évacuation.

Instructions de montage

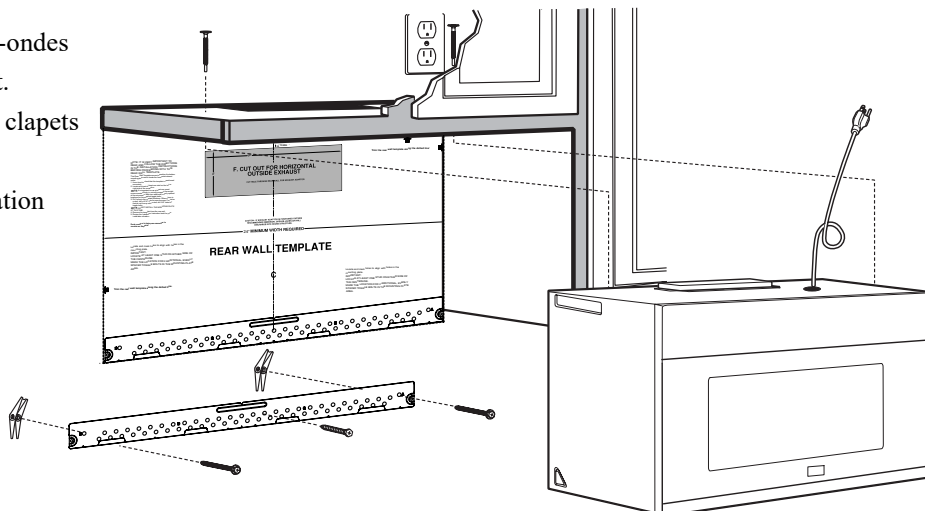
A ÉVACUATION EXTÉRIEURE VERS LE HAUT (conduit vertical)

APERÇU DU MONTAGE

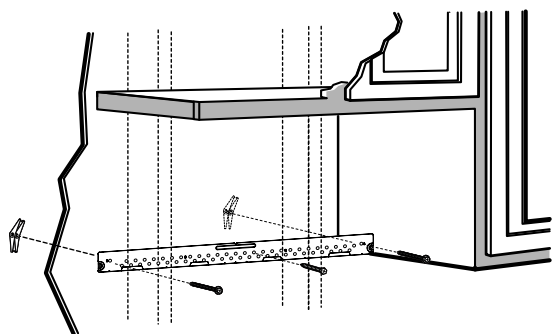
- A1. Fixation de la plaque de montage au mur
- A2. Préparation du haut de l'armoire
- A3. Adaptation d'un ventilateur à micro-ondes pour l'évacuation extérieure vers le haut.
- A4. Vérification du fonctionnement des clapets
- A5. Montage du four à micro-ondes
- A6. Ajustement de l'adaptateur d'évacuation
- A7. Raccordement des conduits

NOTES IMPORTANTES :

- Assurez-vous que les vis du moteur et de la plaque de ventilation sont bien serrées lorsqu'elles sont réinstallés. Cela permettra d'éviter des vibrations.
- Assurez-vous que le câblage du moteur a été correctement acheminé et sécurisé, et que les fils ne sont pas coincés.



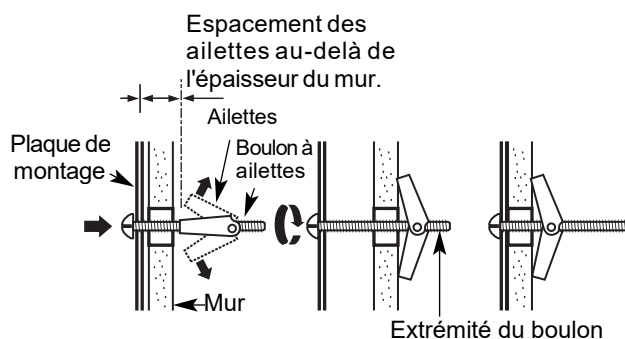
A1. FIXATION DE LA PLAQUE DE MONTAGE AU MUR



Fixer la plaque au mur à l'aide de boulons à ailettes. Au moins une vis à bois doit être utilisée pour fixer la plaque à un montant mural.

- 1 Retirez les ailettes des boulons à ailettes.
- 2 Insérez les boulons dans la plaque de montage à travers les trous prévus à cet effet, et fixez à nouveau les ailettes à 3/4po. (19 mm) sur chaque boulon.

Utilisation de boulons à ailettes :



- 3 Placez la plaque de montage contre le mur et insérez les boulons à ailettes dans les trous du mur pour monter la plaque.

NOTE: Avant de serrer les boulons à ailettes et la vis à bois, assurez-vous que le bas de la plaque de montage touche le bas de l'armoire lorsqu'elle est poussée contre le mur et que la plaque est correctement centrée sous l'armoire.

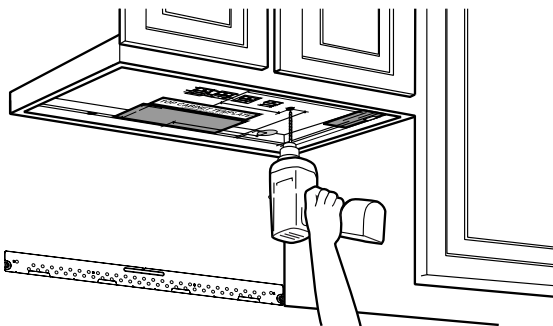
MISE EN GARDE: Veillez à ne pas vous pincer les doigts entre l'arrière de la plaque de montage et le mur.

- 4 Serrez tous les boulons. Retirez la plaque pour l'éloigner du mur afin de faciliter le serrage des boulons.

Instructions de montage

A2. UTILISATION DU GABARIT DE L'ARMOIRE SUPÉRIEURE POUR LA PRÉPARATION DE L'ARMOIRE SUPÉRIEURE

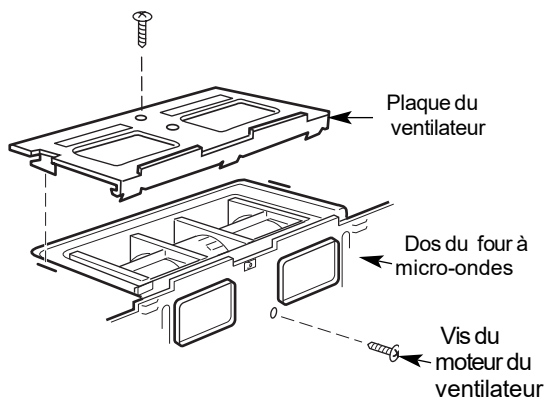
Vous devez percer des trous pour les vis de soutien supérieur, un trou suffisamment grand pour le passage du cordon d'alimentation et une découpe suffisamment grande pour l'adaptateur d'évacuation.



- Lisez les instructions sur le GABARIT DE L'ARMOIRE SUPÉRIEURE.
- Fixez-le au moyen du ruban adhésif sous l'armoire supérieure.
- Percez les trous en suivant les instructions figurant sur le GABARIT DE L'ARMOIRE SUPÉRIEURE.
- ATTENTION : Portez des lunettes de protection lorsque vous percez des trous dans la base de l'armoire.

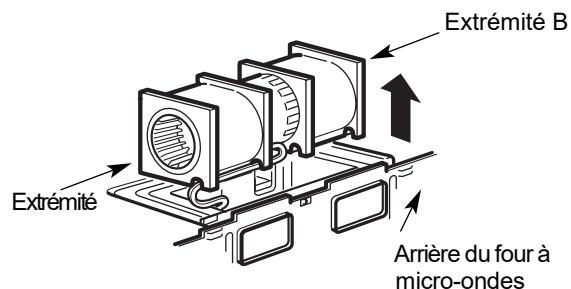
A3. ADAPTATION DU VENTILATEUR DU MICRO-ONDES POUR L'ÉVACUATION EXTÉRIEURE VERS LE HAUT

- 1 Placez le four à micro-ondes en position verticale, le côté supérieur de l'appareil orienté vers le haut

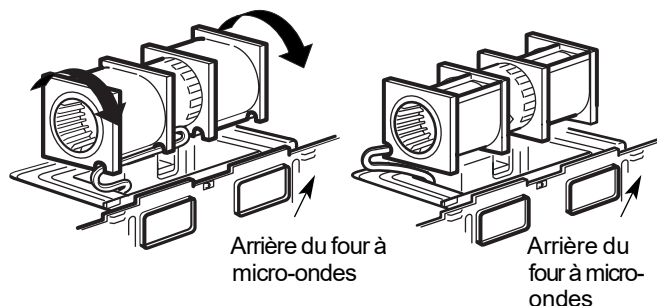


Retirez la vis qui maintient la plaque du ventilateur au four à micro-ondes. Retirez et conservez la vis qui maintient le moteur du ventilateur au four à micro-ondes.

- 2 Sortez délicatement l'unité de ventilation. Les fils s'étendront suffisamment loin pour vous permettre de régler le ventilateur.

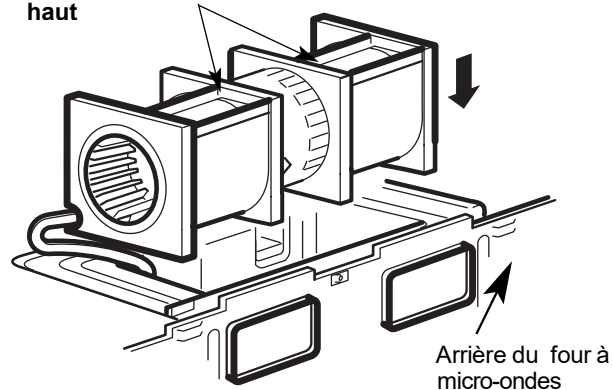


- 3 Retournez le ventilateur sur 90° de manière à ce que les ouvertures des hélices du ventilateur soient orientées vers le haut du four à micro-ondes. Avant la rotation Après la rotation



- 4 Remplacez l'unité de ventilation dans l'ouverture.

APRÈS : Ouvertures des hélices du ventilateur vers le haut



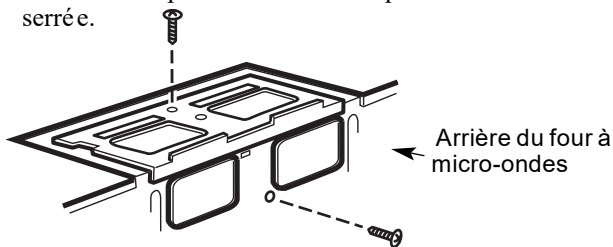
MISE EN GARDE : Ne pas tirer ou étirer le câblage de l'unité de ventilation. Assurez-vous que les câbles ne sont pas coincés et qu'ils sont correctement fixés.

Instructions de montage

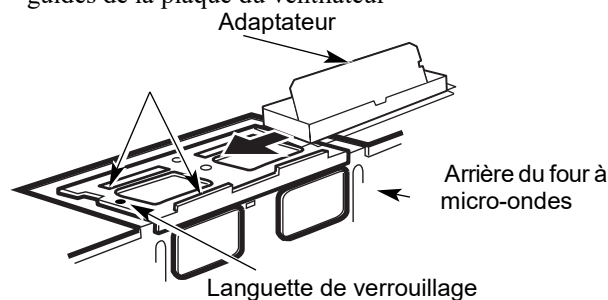
A3. ADAPTATION DU VENTILATEUR DU FOUR À MICRO-ONDES POUR L'ÉVACUATION EXTÉRIEURE VERS LE HAUT

5 Fixez le ventilateur au four à micro-ondes en retirant la vis à l'étape 1. Assurez-vous que la vis est bien serrée.

6 Remplacez la plaque de ventilation par la vis retirée à l'étape 1. Assurez-vous que la vis est bien serrée.

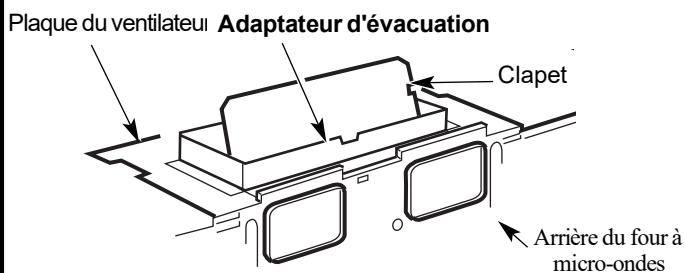


7 Fixez l'adaptateur d'évacuation au sommet de la plaque du ventilateur en le faisant glisser dans les guides de la plaque du ventilateur



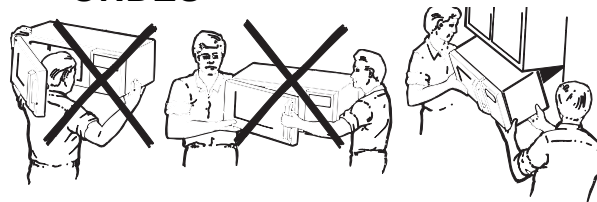
Poussez fermement jusqu'à ce qu'il soit dans les languettes de verrouillage. Veillez à ce que la charnière du clapet soit installée de manière à ce que le clapet puisse librement pivoter.

A4. VÉRIFICATION DU BON FONCTIONNEMENT DU CLAPET



- Assurez-vous que le ruban adhésif fixant le clapet est retiré et que le clapet pivote facilement avant de monter le four à micro-ondes.
- Vous devrez faire des ajustements pour assurer un bon alignement avec le conduit d'évacuation de votre maison après l'installation du four à micro-ondes.

A5. MONTAGE DU FOUR À MICRO-ONDES



POUR FACILITER L'INSTALLATION ET ASSURER LA SÉCURITÉ PERSONNELLE, NOUS RECOMMANDONS QUE DEUX PERSONNES INSTALLENT CE FOUR À MICRO-ONDES

IMPORTANT: Ne pas saisir ou utiliser la poignée ou le pare-chaaleur pendant l'installation. Ne pas retirer les intercalaires en carton situés entre le pare-chaaleur et la porte.

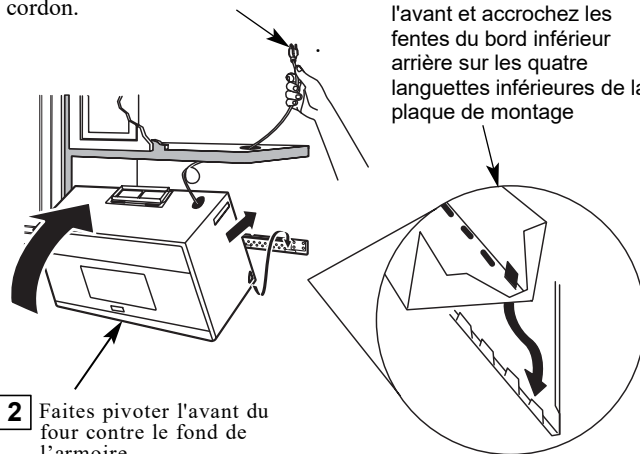
NOTE: Si votre armoire est en métal, utilisez l'œillet en nylon autour de l'orifice du cordon d'alimentation pour éviter de couper le cordon.

NOTE: Nous recommandons d'utiliser des blocs d'espacement si le devant de l'armoire est suspendu sous la tablette inférieure de l'armoire.

IMPORTANT: Si des blocs d'espacement ne sont pas utilisés, des dommages peuvent être causés par un serrage excessif des vis.

NOTE: Lors du montage du four à micro-ondes, faites passer le cordon d'alimentation par le trou dans le fond de l'armoire supérieure. Maintenez-le bien en place tout au long des étapes 1 à 3. Ne pas coincer le cordon ni soulever le four en tirant le

1 Soulevez le four à micro-ondes, inclinez-le vers l'avant et accrochez les fentes du bord inférieur arrière sur les quatre languettes inférieures de la plaque de montage

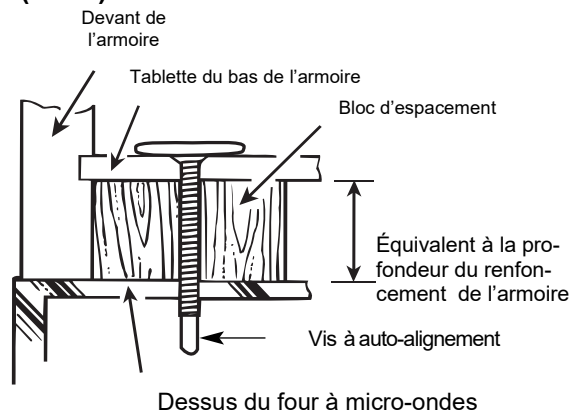


2 Faites pivoter l'avant du four contre le fond de l'armoire

3 Insérez une vis à auto-alignement dans le trou central supérieur de l'armoire. Fixez temporairement le four en tournant la vis d'au moins deux tours complets après que le filetage se soit engagé. (Elle sera serrée à fond plus tard.) Veillez à ce que le cordon d'alimentation soit bien tendu. **Veillez à ne pas coincer le cordon, surtout lorsque vous le montez en l'alignant avec le fond de l'armoire.**

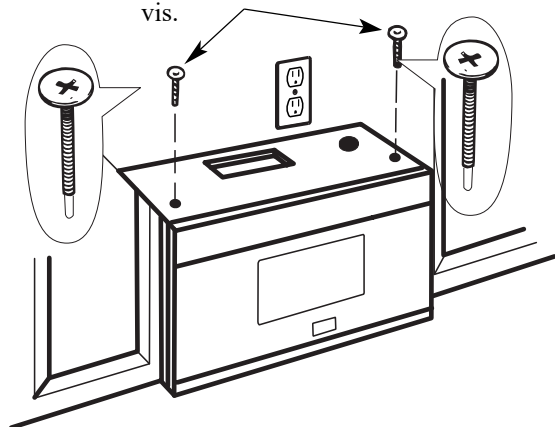
Instructions de montage

A5. MONTAGE DU FOUR À MICRO-ONDES (suite)

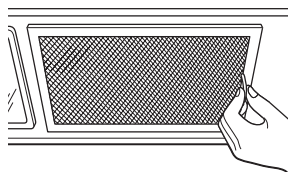


4 Fixez le four à micro-ondes à l'armoire supérieure.

5 Insérez 2 vis à auto-alignement dans les trous externes de l'armoire supérieure. Tournez deux tours complets sur chaque vis.



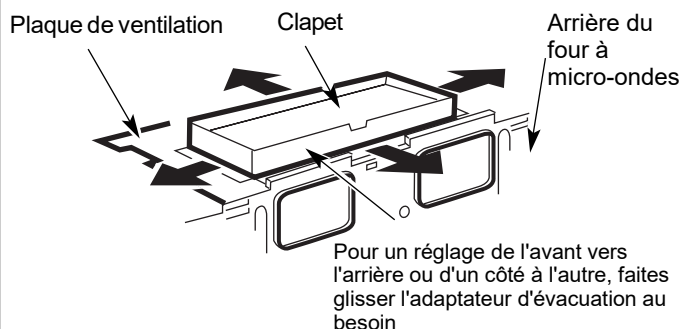
6 Serrez les deux vis externes sur le dessus du four à micro-ondes. (Pendant le serrage des vis, maintenez le four à micro-ondes en place contre le mur et l'armoire supérieure).



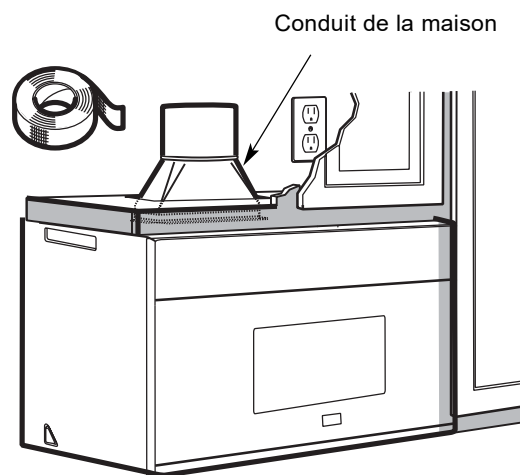
7 Montez des filtres à graisse. Voir l'avis d'utilisation et d'entretien fourni avec le four à micro-ondes.

A6. AJUSTEMENT DE L'ADAPTATEUR D'ÉVACUATION

Ouvrez l'armoire supérieure et ajustez l'adaptateur d'évacuation pour le relier au conduit de la maison.



A7. CONDUITS DE RACCORDEMENT



- 1** Rallongez le conduit de la maison vers le bas pour le raccorder à l'adaptateur d'évacuation
- 2** Scellez les joints des conduits d'évacuation à l'aide du ruban adhésif pour fourneaux pour les utilisations à haute température.

Instructions de montage

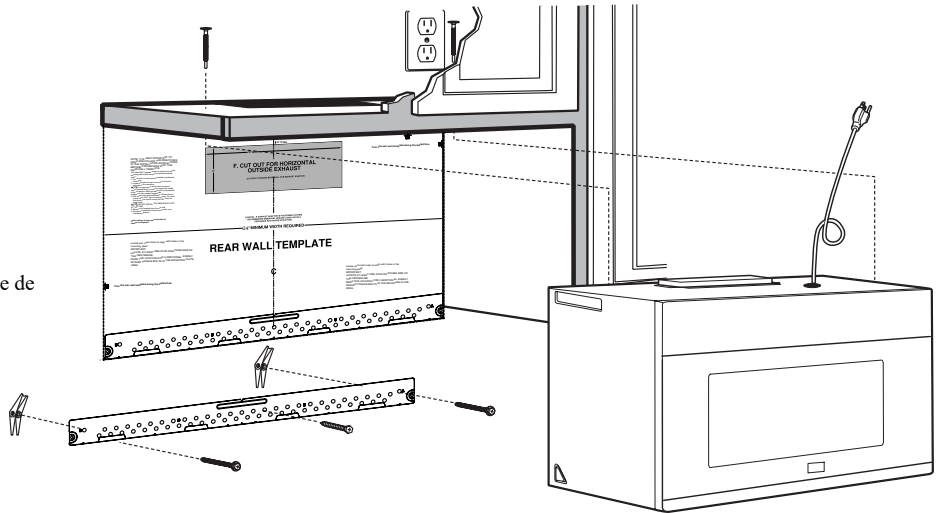
B ÉVACUATION EXTÉRIEURE VERS L'ARRIÈRE (conduit horizontal)

APERÇU DU MONTAGE

- B1. Préparez le mur arrière
- B2. Enlevez la plaque de ventilation
- B3. Fixez la plaque de montage au mur
- B4. Préparez l'armoire supérieure
- B5. Réglez le ventilateur
- B6. Montez le four à micro-ondes

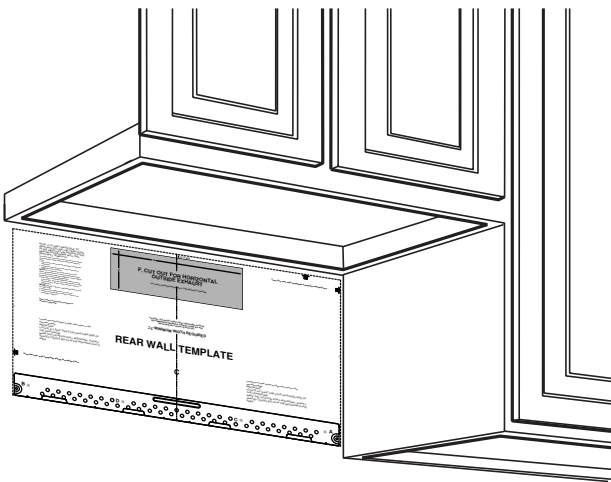
NOTES IMPORTANTES :

- Assurez-vous que les vis du moteur et de la plaque de ventilation sont bien serrées lorsqu'elles sont réinstallées. Cela permettra d'éviter des vibrations.
- Assurez-vous que le câblage du moteur a été correctement acheminé et sécurisé, et que les câbles ne sont pas coincés.



B1 PRÉPARATION DU MUR ARRIÈRE POUR L'ÉVACUATION EXTÉRIEURE VERS L'ARRIÈRE

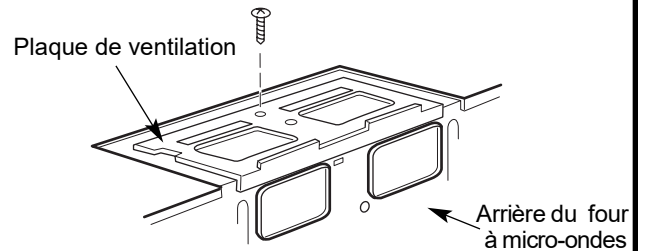
Vous devez découper une ouverture située dans le mur arrière pour l'évacuation vers l'extérieur.



- Lisez les instructions sur le GABARIT DU MUR ARRIÈRE.
- Fixez-le au moyen de ruban adhésif sur le mur
- Découpez l'ouverture en suivant les instructions du GABARIT DU MUR ARRIÈRE.

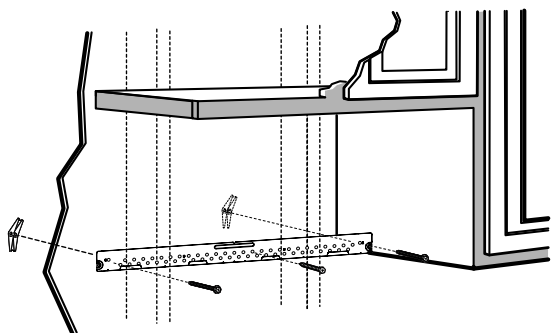
B2 RETIREZ LA PLAQUE DE VENTILATION

Retirez et conservez la vis qui maintient la plaque du ventilateur au four à micro-ondes. Soulevez la plaque de ventilation.



Instructions de montage

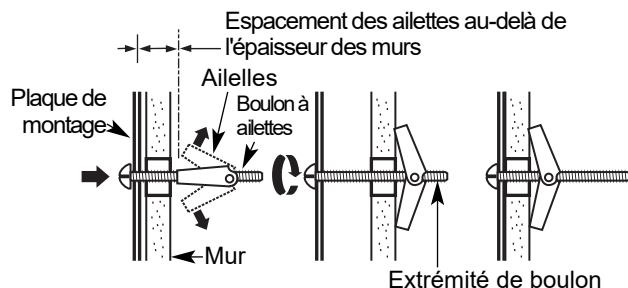
B3. FIXATION DE LA PLAQUE DE MONTAGE AU MUR



Fixez la plaque au mur à l'aide de boulons à ailettes. Au moins une vis à bois doit être utilisée pour fixer la plaque à un montant mural.

- 1 Retirez les ailettes des boulons.
- 2 Insérez les boulons dans la plaque de montage à travers les trous prévus à cet effet et refixez les ailettes à 3/4po. (19 mm) sur chaque boulon.

Utilisation de boulons à ailettes :



- 3 Placez la plaque de montage contre le mur et insérez les ailettes dans les trous du mur pour monter la plaque.

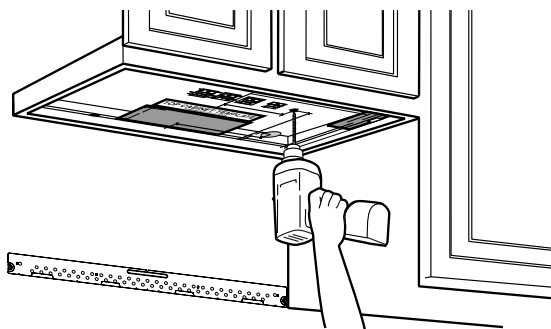
REMARQUE : Avant de serrer les boulons à ailettes et la vis à bois, assurez-vous que le bas de la plaque de montage touche le bas de l'armoire lorsqu'elle est poussée contre le mur et que la plaque est correctement centrée sous le cabinet.

MISE EN GARDE : Faites attention à ne pas vous pincer les doigts entre l'arrière de la plaque de montage et le mur.

- 4 Serrez tous les boulons. Tirez la plaque pour l'éloigner du mur afin de faciliter le serrage des boulons.

B4. UTILISATION DU GABARIT DE L'ARMOIRE SUPÉRIEURE POUR LA PRÉPARATION DE L'ARMOIRE SUPÉRIEURE

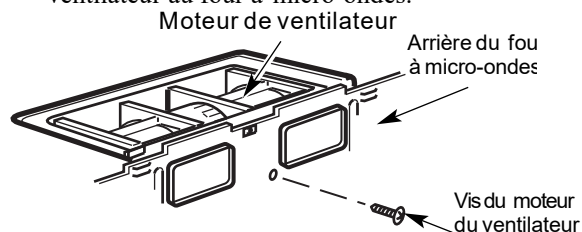
Vous devez percer des trous pour les vis de soutien supérieur et un trou suffisamment grand pour faire passer le cordon d'alimentation



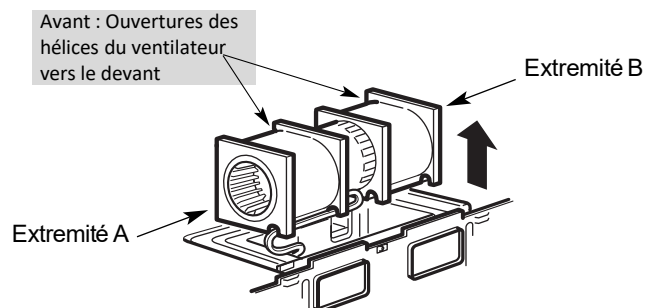
- Lisez les instructions sur le GABARIT DE L'ARMOIRE SUPÉRIEURE.
- Fixez-le au moyen de ruban adhésif sous l'armoire supérieure.
- Percez les trous en suivant les instructions figurant sur le GABARIT DE L'ARMOIRE SUPÉRIEURE.
- MISE EN GARDE :** Portez des lunettes de protection lorsque vous percez des trous dans le fond de l'armoire.

B5. ADAPTATION DU VENTILATEUR DU FOUR À MICRO-ONDES POUR L'ÉVACUATION EXTÉRIEURE VERS L'ARRIÈRE

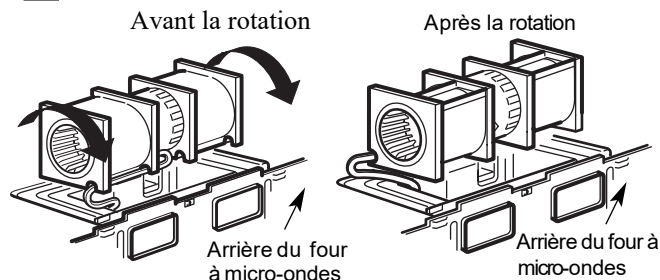
- 1 Retirez et conservez la vis qui retient le moteur du ventilateur au four à micro-ondes.



- 2 Sortez délicatement l'unité de ventilation. Les câbles s'étendront suffisamment loin pour vous permettre de régler le ventilateur.



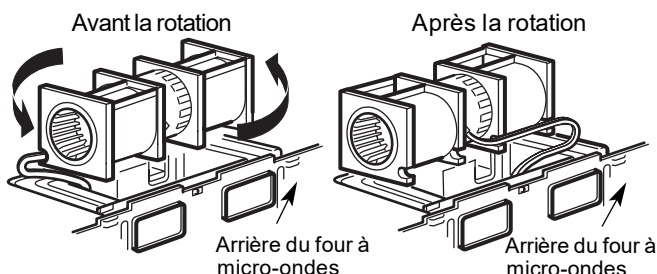
- 3 Retournez l'unité de ventilation à 90°



Instructions de montage

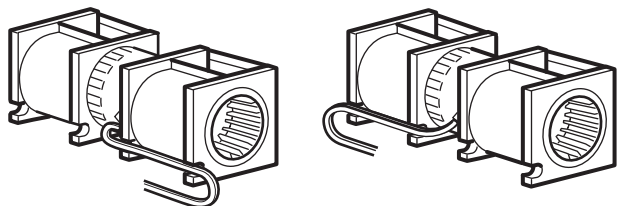
B5. ADAPTATION DU VENTILATEUR DU FOUR À MICRO-ONDES AVEC ÉVACUATION EXTÉRIEURE VERS L'ARRIÈRE (SUITE)

- 4** Faites pivoter l'unité de ventilation de 180° dans le sens anti horaire.



- 5** Retirez doucement les fils des rainures. Faites passer les fils dans les rainures de l'autre côté du ventilateur

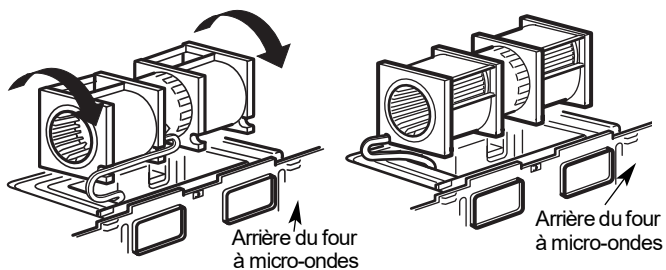
Avant le réacheminement Après le réacheminement



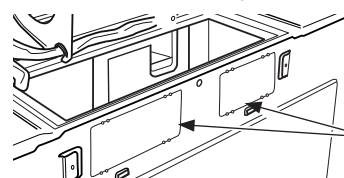
Câbles acheminés par le côté droit Câbles acheminés par le côté gauche

- 6** Retournez le ventilateur à 90° de manière à ce que les ouvertures des hélices du ventilateur soient orientées vers l'arrière du four à micro-ondes.

Avant la rotation Après la rotation



- 7** Enlevez les plaques d'arrêt à l'arrière de l'appareil à l'aide de ciseaux. (Pour certains modèles)

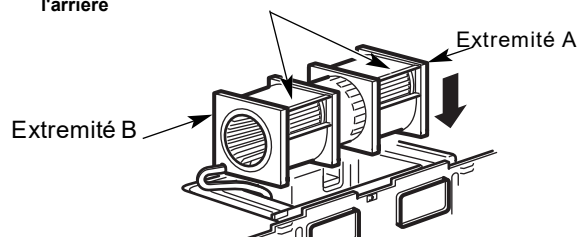


Arrière du four à micro-ondes

Plaques d'arrêt :
Coupez les 4 toiles de chaque panneau d'arrêt et retirez les arrêts métalliques pour permettre la circulation de l'air à l'arrière. Prenez soin d'enlever les bords tranchants créés par le retrait des plaques d'arrêt.

- 8** Remplacez l'unité de ventilation dans l'ouverture.

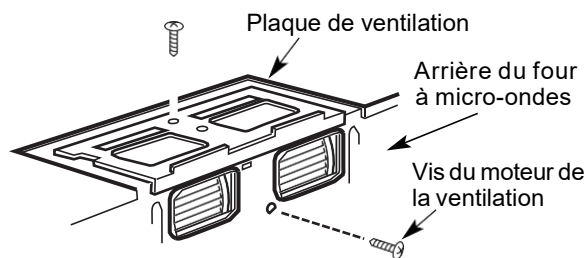
APRÈS : Ouvertures des hélices du ventilateur orientées vers l'arrière



MISE EN GARDE : Ne pas tirer ou étirer le câblage de l'unité de ventilation. Assurez-vous que les fils ne sont pas coincés et qu'ils sont correctement fixés.

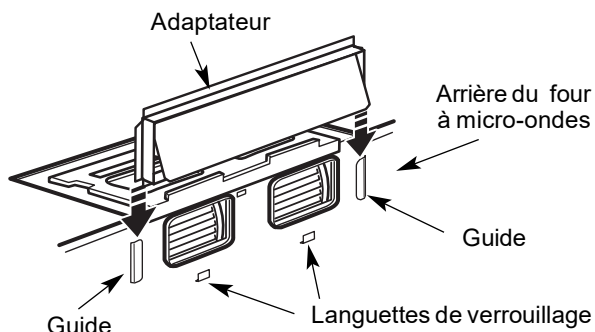
REMARQUE : Les ouvertures d'évacuation de l'unité de ventilation doivent correspondre aux ouvertures d'évacuation à l'arrière du four à micro-ondes.

- 9** Fixez l'unité de ventilation au four à micro-ondes au moyen de la vis d'origine.



- 10** Remettez la plaque du ventilateur dans la même position que précédemment au moyen de la vis. Assurez-vous que la vis est bien serrée.

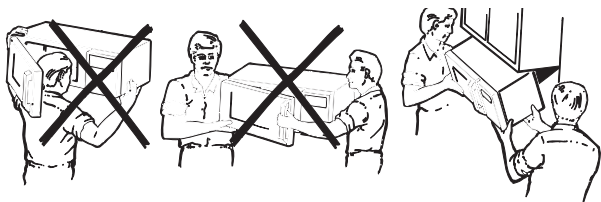
- 11** Fixez l'adaptateur d'évacuation à l'arrière du four en le faisant glisser dans les guides situés au centre supérieur de l'arrière du four.



Poussez fermement jusqu'à ce qu'il se trouve dans les languettes de verrouillage inférieures. Veillez à ce que la charnière du clapet soit installée en haut et que le clapet pivote librement.

Instructions de montage

B6. MONTAGE DU FOUR À MICRO-ONDES



POUR FACILITER L'INSTALLATION ET ASSURER LA SÉCURITÉ PERSONNELLE, NOUS RECOMMANDONS QUE DEUX PERSONNES INSTALLET CE FOUR À MICRO-ONDES.

IMPORTANT: Ne pas saisir ou utiliser la poignée ou le pare-chaaleur pendant l'installation. Ne pas retirer les intercalaires en carton situés entre le pare-chaaleur et la porte.

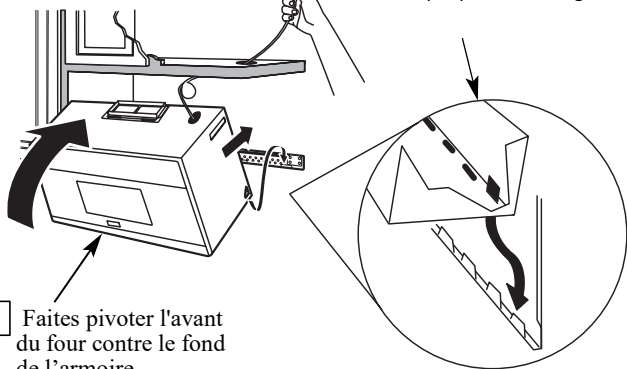
NOTE: Si l'armoire est en métal, utilisez l'œillet en nylon autour de l'orifice du cordon d'alimentation pour éviter de couper le cordon.

NOTE: Nous recommandons d'utiliser les blocs d'espacement si le devant de l'armoire est suspendu sous la tablette inférieure de l'armoire.

IMPORTANT: Si des blocs d'espacement ne sont pas utilisés, des dommages peuvent être causés par un serrage excessif des vis.

NOTE: Lors du montage du four à micro-ondes, faites passer le cordon d'alimentation par le trou dans le fond de l'armoire supérieure. Maintenez-le bien tendu tout au long des étapes 1 à 3. Ne pas coincer le cordon ni soulever le four en tirant sur le cordon.

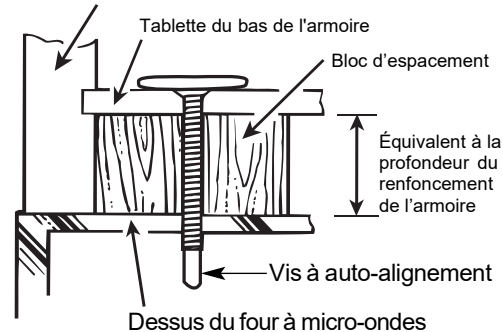
- 1** Soulevez le four à micro-ondes, inclinez-le vers l'avant et accrochez les fentes du bord inférieur arrière sur les quatre languettes inférieures de la plaque de montage.



- 2** Faites pivoter l'avant du four contre le fond de l'armoire

- 3** Insérez une vis à auto-alignement dans le trou central supérieur de l'armoire. Fixez temporairement le four en tournant la vis d'au moins **deux tours complets** après que le filetage se soit engagé. (Elle sera serrée à fond plus tard.) Veillez à ce que le cordon d'alimentation soit bien tendu. **Veillez à ne pas coincer le cordon, surtout lorsque vous le montez en l'alignant avec le fond de l'armoire.**

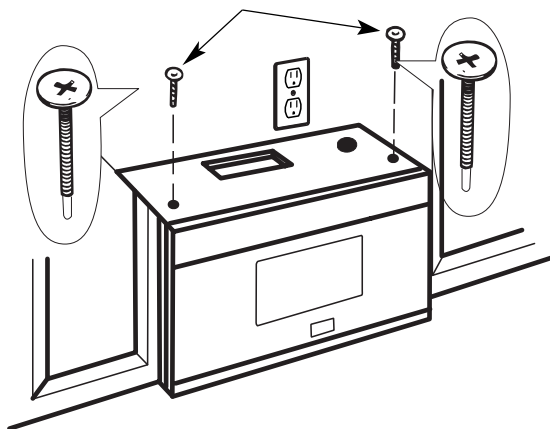
Devant de l'armoire



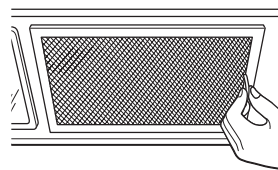
Dessus du four à micro-ondes

- 4** Fixez le four à micro-ondes sur l'armoire supérieure.

- 5** Insérez 2 vis à auto-alignement dans les trous du haut de l'armoire. Faites deux tours complets de chaque vis.



- 6** Serrez les deux vis sur le dessus du four à micro-ondes. (Pendant que vous serrez les vis, maintenez le four à micro-ondes en place contre le mur et l'armoire supérieure).



- 7** Installez des filtres à graisse. Voir l'avis d'utilisation et d'entretien fourni avec le four à micro-ondes

Instructions de montage

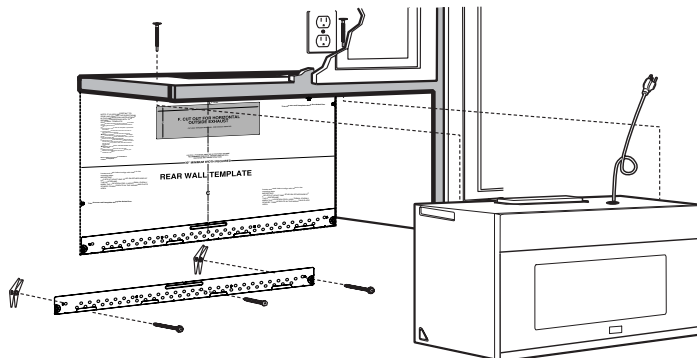
C RECIRCULATION (Sans conduit d'aération)

APERCU DU MONTAGE

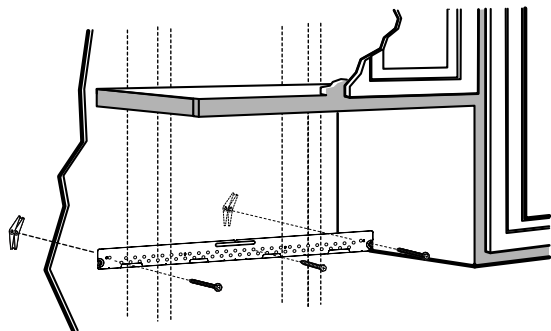
- C1. Fixation de la plaque de montage au mur
- C2. Préparation de l'armoire supérieure
- C3. Vérification de la plaque de ventilation
- C4. Montage du four à micro-ondes
- C5. Installation ou changement du filtre à charbon

NOTES IMPORTANTES :

- Assurez-vous que les vis du moteur et de la plaque de ventilation sont bien serrées lorsqu'elles sont réinstallées. Cela permettra d'éviter des vibrations excessives.
- Assurez-vous que le câblage du moteur a été correctement acheminé et fixé, et que les câbles ne sont pas coincés.

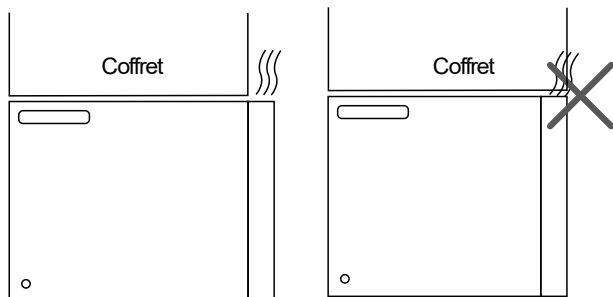


C1. FIXATION DE LA PLAQUE DE MONTAGE AU MUR



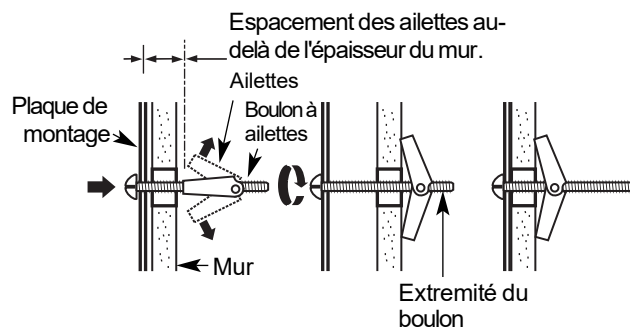
Fixez la plaque au mur à l'aide de boulons à ailettes. Au moins une vis à bois doit être utilisée pour fixer la plaque à un montant mural.

NOTE: Si la profondeur de l'armoire, y compris les portes, est supérieure à 13po, l'unité doit être espacée du mur à l'aide de matériaux adéquats pouvant supporter 150 lb (75 kg) pour permettre une bonne évacuation/prise d'air par le haut



- 1 Retirez les ailettes des boulons.
- 2 Insérez les boulons dans la plaque de montage à travers les trous prévus à cet effet et fixez à nouveau les ailettes à 3/4 pouce (19 mm) sur chaque boulon.

Utilisation de boulons à ailettes



- 3 Placez la plaque de montage contre le mur et insérez les ailettes dans les trous du mur pour monter la plaque.

REMARQUE : Avant de serrer les boulons à ailettes et la vis à bois, assurez-vous que le bas de la plaque de montage touche le bas de l'armoire lorsqu'elle est poussée contre le mur et que la plaque est correctement centrée sous le cabinet.

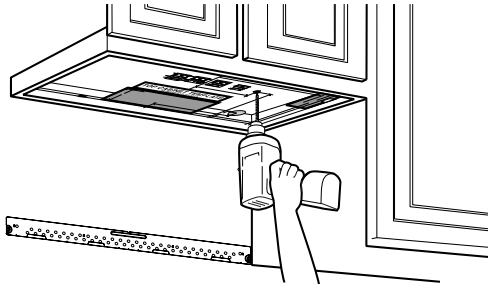
MISE EN GARDE : Faites attention à ne pas vous pincer les doigts entre l'arrière de la plaque de montage et le mur.

- 4 Serrez tous les boulons. Tirez la plaque pour l'éloigner du mur afin de faciliter le serrage des boulons.

Instructions de Montage

C2. UTILISATION DU GABARIT DE L'ARMOIRE SUPÉRIEURE POUR LA PRÉPARATION DE L'ARMOIRE SUPÉRIEURE

Vous devez percer des trous pour les vis de soutien supérieur et un trou suffisamment large pour faire passer le cordon d'alimentation.



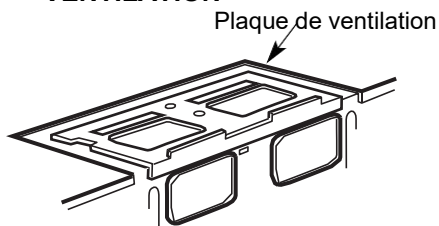
- - Lisez les instructions sur le GABARIT DE L'ARMOIRE SUPÉRIEURE.
- - Fixez-le avec du ruban adhésif sous l'armoire supérieure.

REMARQUE : Ajustez le gabarit supérieur en conséquence si le four à micro-ondes est éloigné du mur en raison de la profondeur de l'armoire qui dépasse 13 pouces (y compris les portes de l'armoire).

- Percez les trous en suivant les instructions figurant sur le GABARIT DE L'ARMOIRE SUPÉRIEURE.

ATTENTION : Portez des lunettes de protection lorsque vous percez des trous dans le fond de l'armoire.

C3. VÉRIFICATION DE LA PLAQUE DE VENTILATION



- Placez le four à micro-ondes en position verticale, la partie supérieure de l'appareil vers le haut.
- Vérifiez que la plaque de ventilation est correctement installée sur l'appareil.

C4. MONTAGE DU FOUR À MICRO-ONDES



POUR FACILITER L'INSTALLATION ET ASSURER LA SÉCURITÉ PERSONNELLE, NOUS RECOMMANDONS QUE DEUX PERSONNES INSTALLET CE FOUR À MICRO-ONDES.

IMPORTANT: Ne pas saisir ou utiliser la poignée ou le pare-chaleur pendant l'installation. Ne pas retirer les intercalaires en carton situés entre le pare-chaleur et la porte.

NOTE: Si l'armoire est en métal, utilisez l'œillet en nylon autour de l'orifice du cordon d'alimentation pour éviter de couper le cordon.

NOTE: Nous recommandons d'utiliser les blocs d'espacement si le devant de l'armoire est suspendu sous la tablette inférieure de l'armoire.

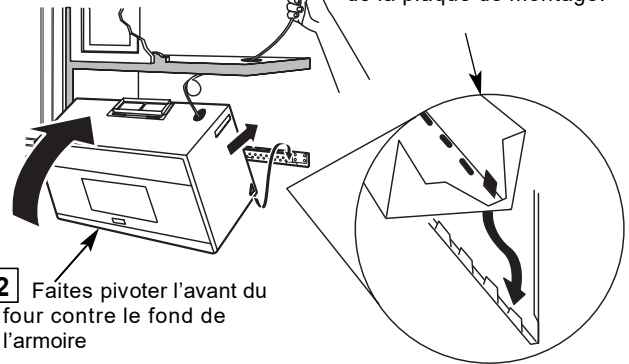
IMPORTANT: Si des blocs d'espacement ne sont pas utilisés, des dommages peuvent être causés par un serrage excessif des vis.

NOTE: Lors du montage du four à micro-ondes, faites passer le cordon d'alimentation par le trou dans le fond de l'armoire supérieure.

Maintenez-le bien

tendu tout au long des étapes 1 à 3. Ne pas coincer le cordon ni soulever le four en tirant sur le cordon

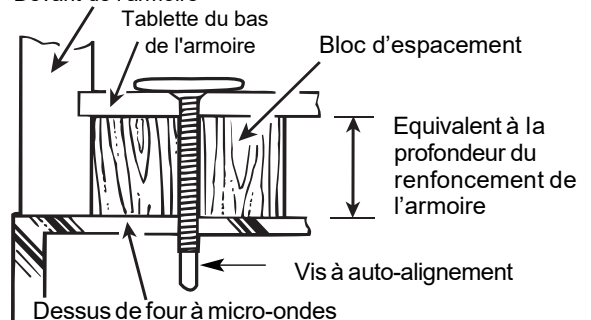
- 1 Soulevez le four à micro-ondes, inclinez-le vers l'avant et accrochez les fentes du bord inférieur arrière sur les quatre languettes inférieures de la plaque de montage.



- 2 Faites pivoter l'avant du four contre le fond de l'armoire

- 3 Insérez une vis à auto-alignement dans le trou central supérieur de l'armoire. Fixez temporairement le four en tournant la vis d'au moins **deux tours complets** après que le filetage se soit engagé. (Elle sera serrée à fond plus tard.) Veillez à ce que le cordon d'alimentation soit bien tendu. **Veillez à ne pas coincer le cordon, surtout lorsque vous l'alignez avec le fond de l'armoire.**

Devant de l'armoire

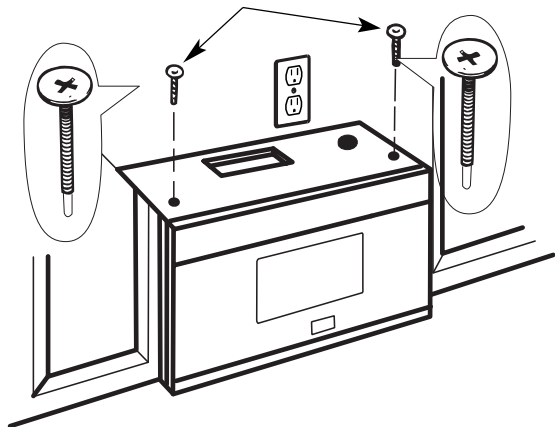


- 4 Fixez le four à micro-ondes sur l'armoire supérieure.

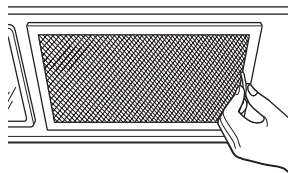
Instructions de montage

C4. MONTAGE DU FOUR À MICRO-ONDES (suite)

- 5 Insérez 2 vis à auto-alignement dans les trous du haut de l'armoire. Tournez deux tours complets pour chaque vis.



- 6 Serrez les deux vis sur le dessus du four à micro-ondes. (Pendant que vous serrez les vis, maintenez le four à micro-ondes en place contre le mur et l'armoire supérieure).



- 7 Installez des filtres à graisse. Voir l'avis d'utilisation et d'entretien fourni avec le four à micro-ondes.

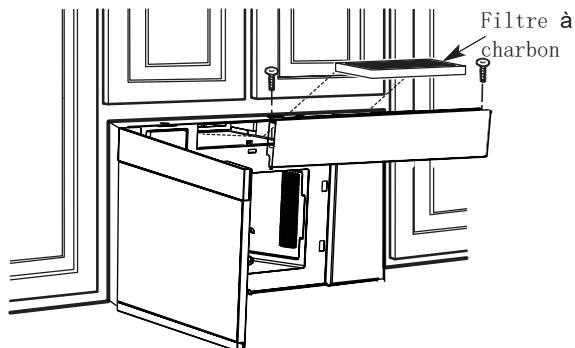
C5. INSTALLATION OU CHANGEMENT DU FILTRE À CHARBON (certains modèles)

NOTE : Le filtre à charbon est installé en usine dans quelques modèles. Reportez-vous à la section Utilisation et Entretien pour savoir si le vôtre est installé en usine et pour obtenir des informations sur son remplacement.

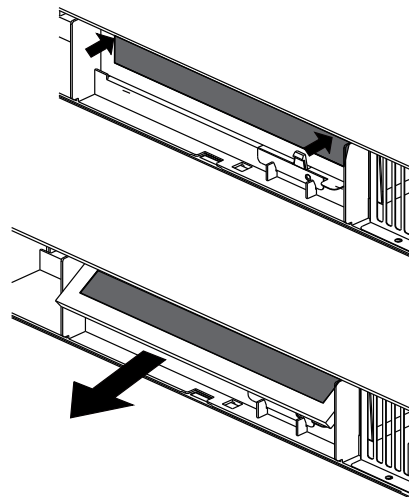
Pour les modèles sans porte d'accès au filtre de recirculation, suivez les étapes suivantes pour remplacer ou installer un filtre à charbon.

- 1 Débranchez le four à micro-ondes ou coupez le courant.

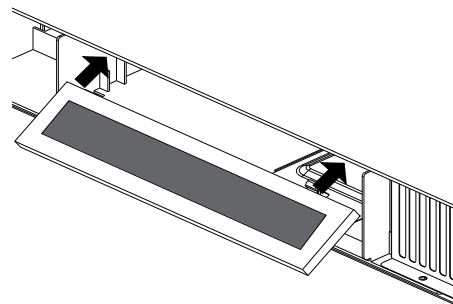
- 2 Ouvrez la porte du four à micro-ondes et retirez les deux vis de fixation de l'évent, situées sur le dessus du four à micro-ondes à l'aide d'un tournevis cruciforme N°1



- 3 Retirez le filtre à charbon en poussant la face supérieure du filtre vers l'intérieur, puis tirez-le vers l'avant pour le sortir de l'appareil.

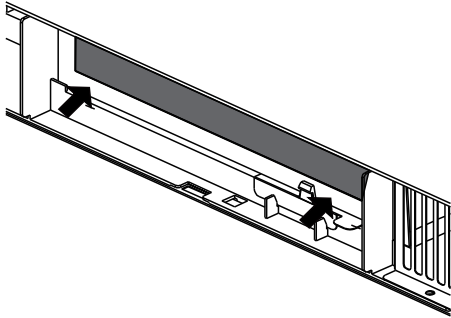


- 4 Faites glisser le sommet du nouveau filtre à charbon dans la partie supérieure de la cavité du filtre.

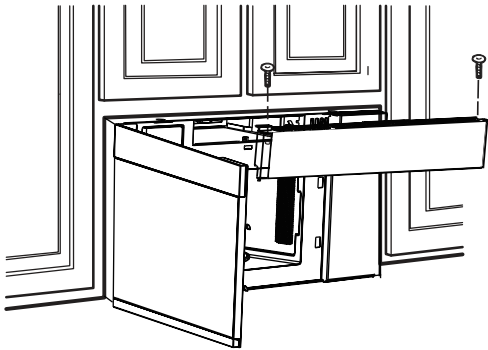


Instructions de montage

- 5** Appuyez sur le fond du filtre à charbon pour le placer dans la bonne position.



- 6** Réinstallez l'évent en faisant glisser le bas de l'évent en place. Poussez le haut de l'évent en position et faites-le glisser en place. Remettez les deux vis de l'évent en place sur le dessus du four à micro-ondes à l'aide d'un tournevis cruciforme N°1.

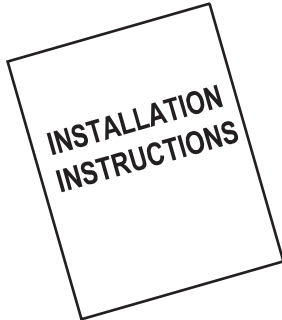


- 7** Fermez la porte du four à micro-ondes. Branchez le four à micro-ondes ou remettez le courant.

Instructions de montage

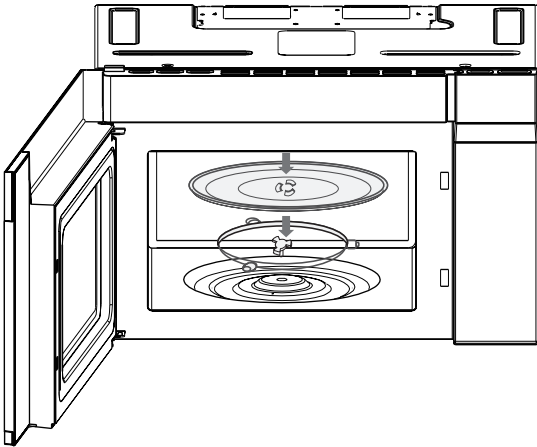
AVANT L'UTILISATION DE VOTRE FOUR À MICRO-ONDES

- 1** Assurez-vous que le four à micro-ondes a été installé conformément aux instructions.

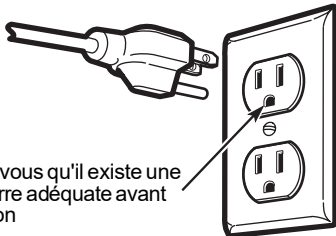


- 2** Retirez tout le matériel d'emballage du four à micro-ondes.

- 3** Installez l'anneau rotatif et le plateau en verre dans la cavité.

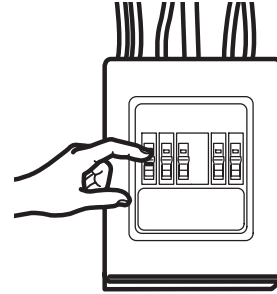


- 4** Branchez le cordon d'alimentation dans une prise électrique séparée et dédiée de 15 à 20 ampères.



Assurez-vous qu'il existe une mise à terre adéquate avant l'utilisation

- 5** Remplacez le fusible de la maison ou remettez le disjoncteur en marche.



- 6** Lisez le guide d'utilisation et d'entretien



- 7** CONSERVEZ LES INSTRUCTIONS DE MONTAGE À L'USAGE DE L'INSPECTEUR LOCAL.



- 8** REMPLISSEZ LA CARTE D'ENREGISTREMENT DU PRODUIT ET ENVOYEZ-LA.



REMARQUE : LIRE ET SUIVRE SOIGNEUSEMENT LES DIRECTIVES DANS LES INSTRUCTIONS D'INSTALLATION AVANT D'UTILISER CE GABARIT DE MUR ARRIÈRE.

Ce gabarit de mur arrière sert à positionner la plaque de montage inférieure et à localiser la sortie d'échappement horizontale.

1. UTILISEZ UN NIVEAU POUR VÉRIFIER QUE LE GABARIT EST POSITIONNÉ AVEC PRÉCISION.

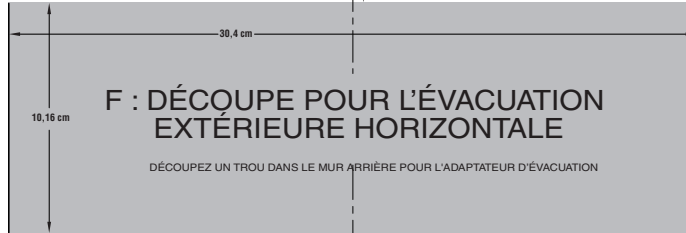
2. LOCALISEZ ET MARQUEZ AU MOINS UN MONTANT SUR LE CÔTÉ GAUCHE OU DROIT DE LA LIGNE CENTRALE.

REMARQUE : Il est important d'utiliser au moins une vis à bois ancrée fermement sur un montant pour supporter le poids du micro-ondes. Marquez deux emplacements supplémentaires régulièrement espacés pour les boulons à bascule fournis.

3. Percez des trous dans les emplacements marqués. Là où il y a un montant, percez un trou de 3/16 po (0,47 cm) pour les vis à bois. Pour les trous qui ne s'alignent pas avec un montant, percez des trous de 5/8 po (2,11 cm) pour les boulons à bascule.

REMARQUE : N'INSTALLEZ PAS LA PLAQUE DE MONTAGE À CE MOMENT-LÀ.

4. RETIREZ LE GABARIT DU MUR ARRIÈRE.
5. Consultez le guide d'installations pour vérifier l'installation qui correspond à votre emplacement.



Coupez le gabarit de mur arrière le long de la ligne pointillée.

MISE EN GARDE : SI L'ADAPTATEUR D'ÉVACUATION NE RESPECTE PAS LA DIMENSION RECOMMANDÉE, DE L'AIR CHARGÉ DE GRAISSE S'ÉVACUERA DANS LA MAISON.

Largeur minimale de 24 po (60,9 cm) requise

Localisez et marquez les trous pour les aligner avec les trous de la plaque de montage.

IMPORTANT :

LOCALISEZ AU MOINS UN MONTANT SUR LE CÔTÉ GAUCHE OU DROIT DE LA LIGNE CENTRALE.

Marquez deux emplacements supplémentaires régulièrement espacés pour les boulons à bascule dans la zone de la plaque de montage

GABARIT DE MUR ARRIÈRE

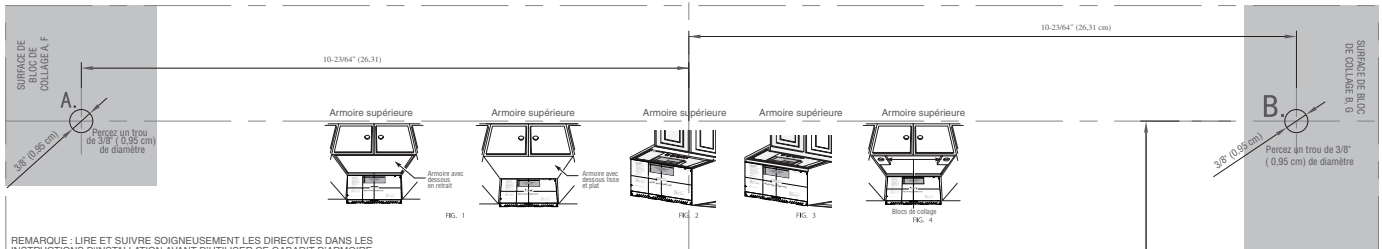
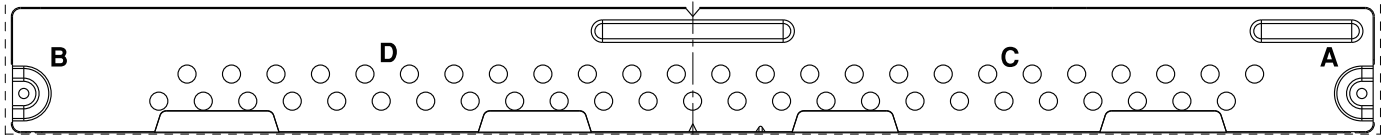
Localisez et marquez les trous pour les aligner avec les trous de la plaque de montage.

IMPORTANT :

LOCALISEZ AU MOINS UN MONTANT SUR LE CÔTÉ GAUCHE OU DROIT DE LA LIGNE CENTRALE.

MARQUEZ L'EMPLACEMENT POUR 2 BOULONS À BASCULE SUPPLÉMENTAIRES RÉGULIÈREMENT ESPACÉS DANS LA ZONE DE LA PLAQUE DE MONTAGE.

Coupez le gabarit de mur arrière le long de la ligne pointillée.



REMARQUE : LIRE ET SUIVRE SOIGNEUSEMENT LES DIRECTIVES DANS LES INSTRUCTIONS D'INSTALLATION AVANT D'UTILISER CE GABARIT D'ARMOIRE SUPÉRIEURE.

Ce gabarit sert à localiser le trou de dégagement du cordon d'alimentation, les trous de montage de l'armoire et la découpe de la sortie d'évacuation verticale.

1. Vérifiez si votre cabinet a un dessous en retrait ou un fond plat et lisse.

Voir image 1. Si le fond est lisse, collez le gabarit sur la surface inférieure (image 2). Si il est en retrait, coupez les bords du gabarit pour qu'il s'insère dans le fond en retrait de l'armoire. Il est important que les bords des armoires permettent l'installation au niveau du four.

REMARQUE : Un petit support ou un bloc de collage est utilisé entre le surplomb et le dessous du bas de l'armoire sur certaines armoires. Coupez le gabarit pour qu'il s'adapte autour du support ou du bloc de collage afin qu'il repose à plat contre le bas de l'armoire.

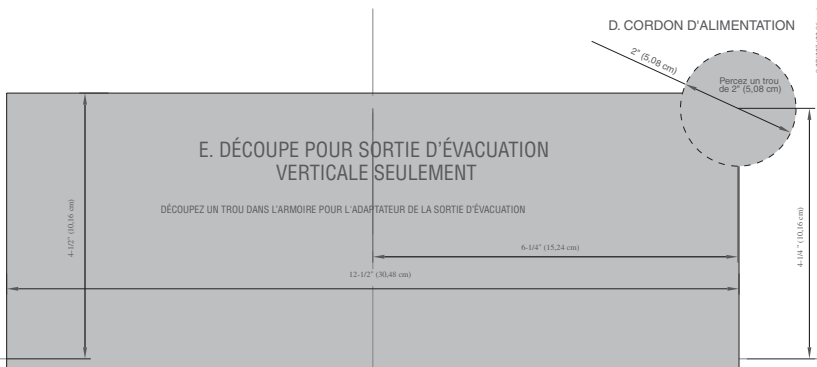
Collez le gabarit de l'armoire supérieure sur la surface en retrait en dessous de l'armoire supérieure. Image 3.

REMARQUE : Assurez-vous que l'arrière du modèle touche la paroi arrière (pour les armoires à fond plat et lisse) ou l'arrière du retrait (pour les armoires inférieures encastrées) après avoir coupé les bords du modèle.

GABARIT D'ARMOIRE SUPÉRIEURE

CÔTÉ GAUCHE

CÔTÉ DROIT



2. Percez des trous de 3/8 po (0,95 cm) de diamètre en A et B.

MISE EN GARDE : Portez des lunettes de sécurité lorsque vous percez des trous dans le fond de l'armoire.

3. Découpez les trous de 2 po (5,08 cm) de diamètre en D pour passer le cordon d'alimentation. Si les armoires sont en métal, utilisez l'outil en nylon (voir la section Pièces incluses dans les instructions d'installation) pour entourer l'ouverture afin de protéger le cordon.

4. (SORTIE D'ÉVACUATION VERTICALE UNIQUEMENT) Découpez la sortie d'évacuation verticale (extérieure).

5. Retirez le gabarit d'armoire supérieure.

6. Pour les armoires encastrées, faites 2 blocs de remplissage avec des retalles de bois de la grandeur des zones ombragées F et G. Ces blocs de remplissage doivent avoir une épaisseur égale à la profondeur de retrait de l'armoire. Percez des trous de 1/2 po (1,27 cm) de diamètre dans ces blocs pour les aligner avec A et B. Placez les blocs de sorte que les trous de chaque bloc soient alignés avec les trous correspondants dans l'armoire. Les blocs de remplissage doivent être au même niveau que le rebord inférieur du cadre de l'armoire murale. Image 4.

7. RETOURNEZ AUX INSTRUCTIONS D'INSTALLATION ET CONTINUEZ L'INSTALLATION.

MUR

MUR

